

CATALOGUE



FEBRUARY
2026

ELECTRICAL EQUIPMENT



TS UNITED METAL SDN. BHD.
“Old stuff, new life”

CONTENTS..

SWITCHGEAR_33KV & 11KV	1 – 20
BATTERY CHARGER PANEL_110V & 30V	21
CONTAINERISED SUBSTATION	22 – 28
SUBCOMPACT	29 – 35
TUNNEL LIGHTING DISTRIBUTION	36
GENERATOR SET	37
TRANSFORMERS	38 – 56
SWITCH BOARD	57
MAIN SWITCH BOARD (MSB)	58
SUB SWITCH BOARD (SSB)	58 – 60
STARTER CONTROL PANEL	61 – 62
MOTOR CONTROL CENTERS (MCC)	62 – 63
DISTRIBUTION BOARD (DB)	63 – 73

33KV GAS INSULATED SWITCHGEAR



33KV SWITCHGEAR_ TAMCO C/W REMOTE SWITCH



SCAN FOR SINGLE-LINE DIAGRAM

Series No. / Tagging	<ul style="list-style-type: none">• AA01 – AA08 (8 units)• 33KV REMOTE CONTROL PANEL
Voltage	<ul style="list-style-type: none">• 33KV
Rated Current (Amp)	<ul style="list-style-type: none">• 1250A
Year	<ul style="list-style-type: none">• 2012
Price (RM)	<ul style="list-style-type: none">• RM600,000.00 / Per set

*Used unit – In good condition



33KV SWITCHGEAR_ SCHNEIDER ELECTRIC

Series No. / Tagging	CT Ratio	Voltage	Rated Current (Amp)	Year	Price (RM) / Unit
Incomer Supply	100/5A	33 KV	1250A	2015	RM 30,000.00
Outgoing (F4)	100/5A	33 KV	1250A	2015	RM 30,000.00
Outgoing (F5)	100/5A	33 KV	1250A	2015	RM 30,000.00

* USED UNIT - IN GOOD CONDITION



12KV / 11KV

SWITCHGEAR



Series No. / Tagging	CT Ratio	Voltage	Rated Current (Amp)	Year	Price (RM) / Unit
Incoming No.1	400/5A	12KV	630A	2015	RM 20,000.00
Outgoing TBM 1	200/5A	12KV	630A	2015	RM 20,000.00
Outgoing TBM 2	200/5A	12KV	630A	2015	RM 20,000.00
Outgoing TBM 3	200/5A	12KV	630A	2015	RM 20,000.00

* USED UNIT - IN GOOD CONDITION



12KV SWITCHGEAR_LKH

Series No. / Tagging	CT Ratio	Voltage	Rated Current (Amp)	Year	Price (RM) / Unit
Incoming P2	300/5A	12KV	630A	1993	RM 18,000.00
Outgoing P1	200/5A	12KV	630A	1993	RM 18,000.00
Outgoing P3	200/5A	12KV	630A	1996	RM 18,000.00

* USED UNIT - IN GOOD CONDITION



Series No. / Tagging	CT Ratio	Voltage	Rated Current (Amp)	Year	Price (RM) / Unit
Incoming H1	300/5A	12KV	1250A	Unknown	RM 20,000.00
Outgoing H2	150/5A	12KV	1250A	Unknown	RM 20,000.00
Outgoing H4	150/5A	12KV	1250A	Unknown	RM 20,000.00

* USED UNIT - IN GOOD CONDITION



12KV SWITCHGEAR_ ABB (AHLONG JB)

Series No. / Tagging	CT Ratio	Voltage	Rated Current (Amp)	Year	Price (RM) / Unit
Incoming H1	150/5A	12KV	630A	Unknown	RM 20,000.00
Feeder H2	100/5A	12KV	630A	Unknown	RM 20,000.00
Feeder H3	100/5A	12KV	630A	Unknown	RM 20,000.00

* USED UNIT - IN GOOD CONDITION



12KV/11KV SWITCHGEAR_TAMCO (VHIH)

Series No. / Tagging	CT Ratio	Voltage	Rated Current (Amp)	Year	Price (RM) / Unit
Incomer Supply 1	150/5A	12 KV	630A	1989	RM 20,000.00
Incomer Supply 2	200/5A	11 KV	630A	1989	RM 20,000.00
Transformer Feeder No.1	400/5A	12 KV	630A	2004	RM 20,000.00
Transformer Feeder No.2	200/5A	12 KV	630A	1989	RM 20,000.00
Transformer Feeder No.3	100/5A	12 KV	630A	1989	RM 20,000.00
Transformer Feeder No.4	100/5A	12 KV	630A	2007	RM 20,000.00

* USED UNIT - IN GOOD CONDITION



12KV SWITCHGEAR_ABB (TEE)

Series No. / Tagging	CT Ratio	Voltage	Rated Current (Amp)	Year	Price (RM) / Unit
Incomer (H1)	200/5A	12KV	630A	Unknown	RM 20,000.00
Feeder No.1 (H2)	150/5A	12KV	630A	Unknown	RM 20,000.00
Feeder No.2 (H3)	150/5A	12KV	630A	Unknown	RM 20,000.00

* USED UNIT - IN GOOD CONDITION



Series No. / Tagging	CT Ratio	Voltage	Rated Current (Amp)	Year	Price (RM) / Unit
Incoming	200/5A	12 KV	630A	1998	RM 20,000.00
Feeder No.1	150/5A	12 KV	630A	1998	RM 20,000.00
Feeder No.2	150/5A	12 KV	630A	1998	RM 20,000.00
Feeder No.3	200/5A	12 KV	630A	1998	RM 20,000.00

* USED UNIT - IN GOOD CONDITION



12KV SWITCHGEAR_ABB (TEE)

Series No. / Tagging	CT Ratio	Voltage	Rated Current (Amp)	Year	Price (RM) / Unit
Incomer (VD4M)	400/5A	12KV	630A	1996	RM 20,000.00
Transformer No.1	100/5A	12KV	630A	1996	RM 20,000.00
Transformer No.2	100/5A	12KV	630A	1996	RM 20,000.00
Transformer No.3	150/5A	12KV	630A	1996	RM 20,000.00

* USED UNIT - IN GOOD CONDITION



Series No. / Tagging	CT Ratio	Voltage	Rated Current (Amp)	Year	Price (RM) / Unit
ABB (STAND-ALONE) (K1) - IN/OUT PANEL	150/5A	12KV	630A	1996	RM 30,000.00

* USED UNIT - IN GOOD CONDITION



12KV SWITCHGEAR_SIEMEN (TEE)

Series No. / Tagging	CT Ratio	Voltage	Rated Current (Amp)	Year	Price (RM) / Unit
Incomer	400/5A	12KV	630A	1995	RM 20,000.00
Transformer No.1	100/5A	12KV	630A	1995	RM 20,000.00
Transformer No.2	100/5A	12KV	630A	1995	RM 20,000.00
Transformer No.3	400/5A	12KV	630A	1995	RM 20,000.00

* USED UNIT - IN GOOD CONDITION



12KV SWITCHGEAR_TAMCO (VHIH) (TEE)

Series No. / Tagging	CT Ratio	Voltage	Rated Current (Amp)	Year	Price (RM) / Unit
Bus Station Panel	-	12KV	630A	2000	RM 20,000.00
Transformer No.1	150/5A	12KV	630A	2000	RM 20,000.00
Transformer No.2	150/5A	12KV	630A	2000	RM 20,000.00
Transformer No.3	150/5A	12KV	630A	2000	RM 20,000.00
Transformer No.4	150/5A	12KV	630A	2000	RM 20,000.00
Empty Panel	-	-	-	-	RM 5,000.00
Incomer No.2	500/5A	12KV	630A	2000	RM 22,500.00
Transformer No.5	150/5A	12KV	630A	2000	RM 20,000.00
Transformer No.6	150/5A	12KV	630A	2000	RM 20,000.00

* USED UNIT - IN GOOD CONDITION



11KV SWITCHGEAR_ TAMCO



SCAN FOR SINGLE-LINE DIAGRAM

Series No. / Tagging	CT Ratio	Voltage	Rated Current (Amp)	Year	Price (RM) / Unit
BB03 – Feeder	600/1A	11KV	1250A	2012	RM 25,000.00
BB04 – Feeder	600/1A	11KV	1250A	2012	RM 25,000.00
BB07 – Incomer Supply	1200/1A	11KV	1250A	2012	RM 25,000.00
BB08 – Feeder	600/1A	11KV	1250A	2012	RM 25,000.00
BB10 – Feeder	600/1A	11KV	1250A	2012	RM 25,000.00
DD01 – Incomer Supply	600/1A	11KV	1250A	2012	RM 25,000.00
DD02 – Feeder	100/5A	11KV	630A	2012	RM 22,500.00
DD03 – Feeder	100/5A	11KV	630A	2012	RM 22,500.00
DD04 – Feeder	100/5A	11KV	630A	2012	RM 22,500.00
EE03 – Feeder	100/5A	11KV	630A	2012	RM 22,500.00
EE04 – Feeder	150/5A	11KV	630A	2012	RM 22,500.00
FF04 – Feeder	75/5A	11KV	630A	2013	RM 22,500.00
FF05 – Feeder	75/5A	11KV	630A	2013	RM 22,500.00

* USED UNIT - IN GOOD CONDITION



Series No. / Tagging	CT Ratio	Voltage	Rated Current (Amp)	Year	Price (RM) / Unit
Incoming P4	200/5A	11KV	630A	2002	RM 20,000.00
Outgoing P5	200/5A	11KV	630A	2002	RM 20,000.00

* USED UNIT - IN GOOD CONDITION



11KV SWITCHGEAR_TAMCO (TEE)

Series No. / Tagging	CT Ratio	Voltage	Rated Current (Amp)	Year	Price (RM) / Unit
Incoming No.1	200/5A	11KV	630A	1996	RM 20,000.00
Incoming No.2	200/5A	11KV	630A	1996	RM 20,000.00
Feeder No.1	200/5A	11KV	630A	1996	RM 20,000.00
Feeder No.2	200/5A	11KV	630A	1996	RM 20,000.00
Feeder No.3	200/5A	11KV	630A	1996	RM 20,000.00
Feeder No.4	200/5A	11KV	630A	1996	RM 20,000.00
Feeder Busbar Section (Coupler) + 1no Empty Panel	200/5A	11KV	630A	1996	RM 20,000.00

* USED UNIT - IN GOOD CONDITION



11KV SWITCHGEAR (PROTECH)

Series No. / Tagging	CT Ratio	Voltage	Rated Current (Amp)	Year	Price (RM) / Unit
ABB K1 – Incomer	250/5A	11KV	630A	Unknown	RM 20,000.00
ABB K2– Feeder No.1	150/5A	11KV	630A	Unknown	RM 20,000.00



* USED UNIT - IN GOOD CONDITION



Series No. / Tagging	CT Ratio	Voltage	Rated Current (Amp)	Year	Price (RM) / Unit
MAHKOTA TRX No 1 – Feeder	100/5A	11KV	630A	1999	RM 20,000.00

ATS PANEL

Price: RM3,000.00

Quantity: 2 units

Weight: 61.5KG



* USED UNIT - IN GOOD CONDITION



* USED UNIT - IN GOOD CONDITION

ATS CONTROL PANEL

Price: RM2,000.00

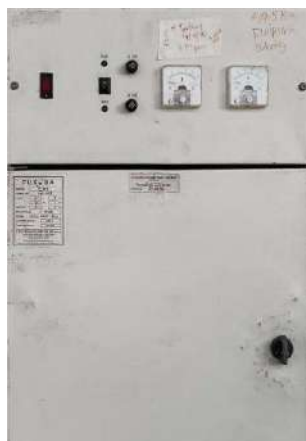
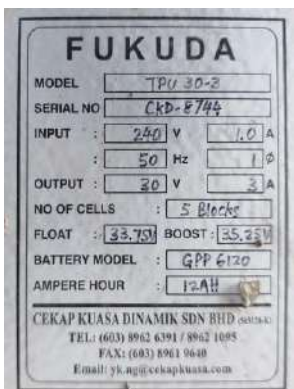
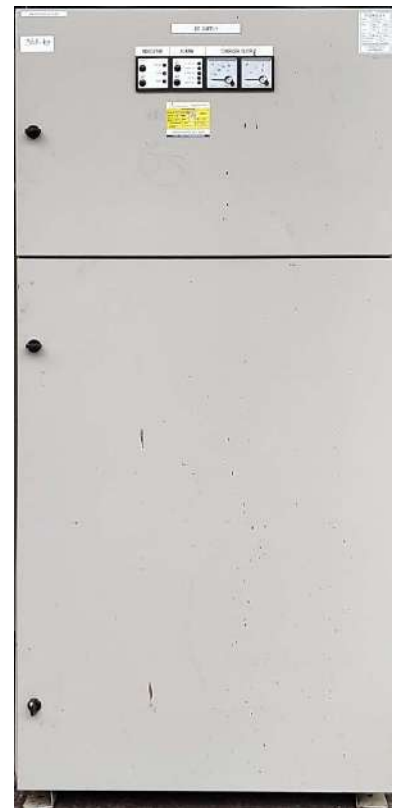
Quantity: 1 unit

Weight: 80.0KG

BATTERY CHARGER PANEL

MODEL	INPUT VOLTAGE (VOLT)	OUTPUT VOLTAGE (VOLT)	RATED CURRENT (AMP)	WEIGHT (KG)	SELLING PRICE / UNIT
TPU 110-06	240V	110V	6A	232.5	RM4,650.00
TPU 30-06	240V	30V	6A	51.0	RM1,020.00
TPU 30-06	240V	30V	6A	49.5	RM990.00
TPU 30-03	240V	30V	3A	22.0	RM440.00

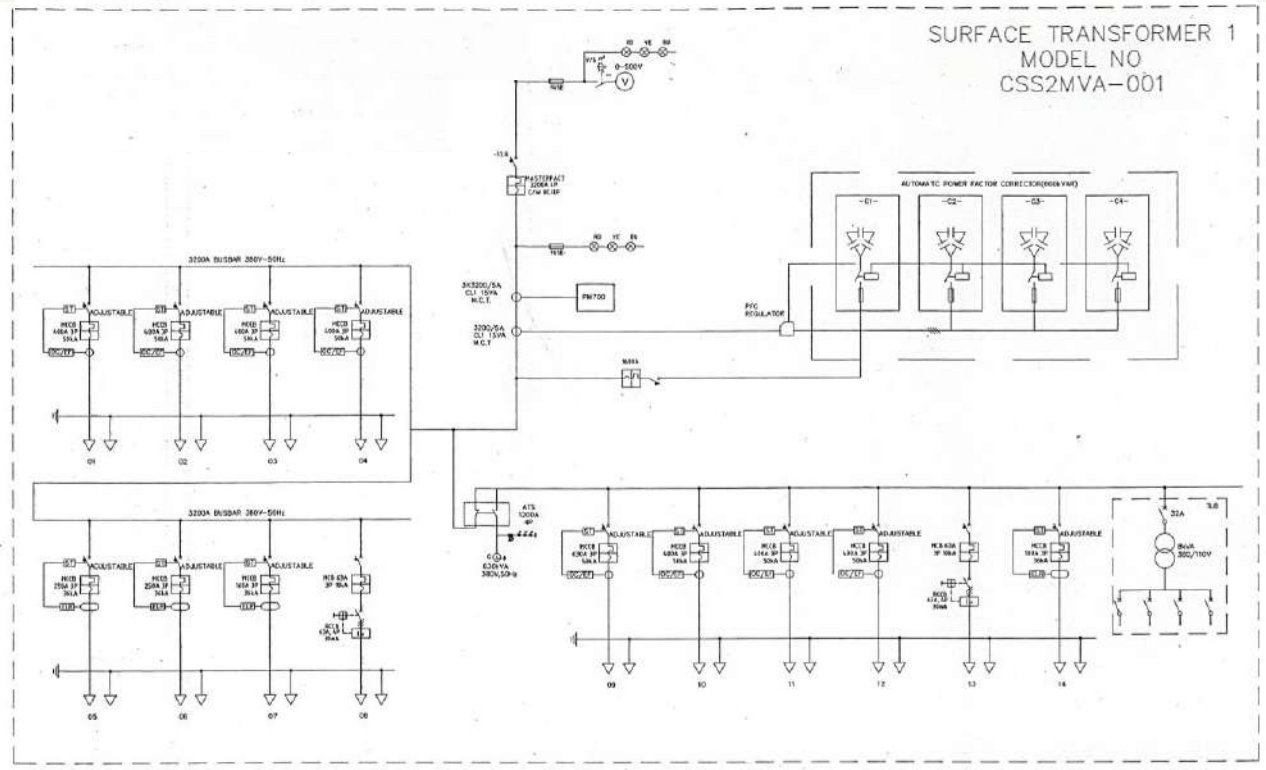
- * Used unit – In good condition
- * Battery Charger Panel : RM20.00/kg





CONTAINERISED SUBSTATION

CONTAINERISED SUBSTATION (CSS084)

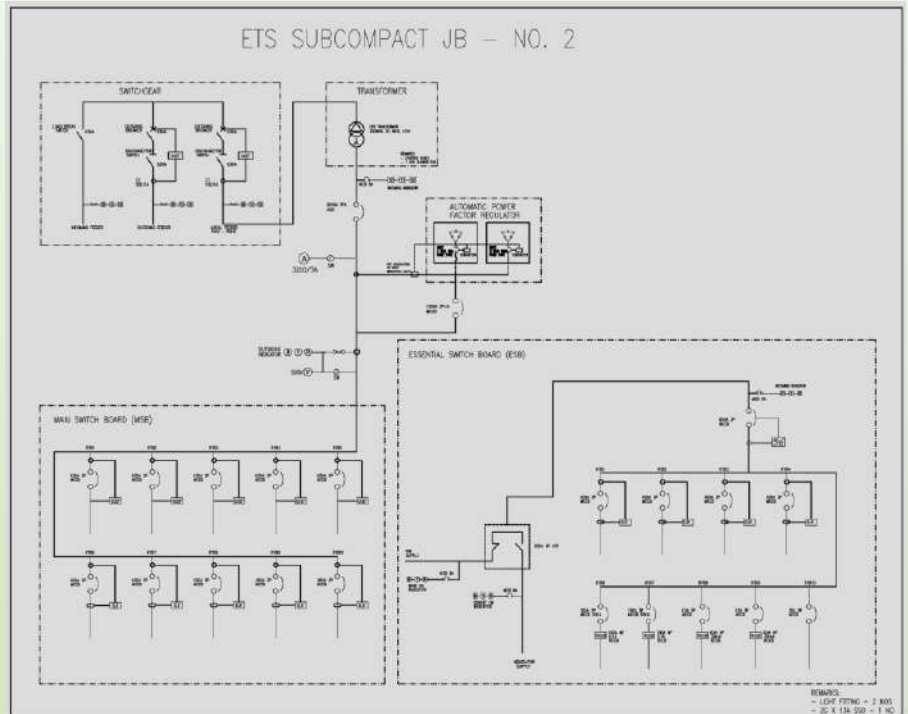


RM 85,000.00
FOR COMPLETE SET

CONTAINERISED SUBSTATION NO.01 (TEE)



**RING MAIN UNIT (RMU)
& BATTERY CHARGER**



RM 168,000.00

PER SET

- * USED UNIT - IN GOOD CONDITION
- * NO LV CABLES

DRY-TYPE TRANSFORMER	
Type: SCB10-2000/10	Rated Power: 2000 kVA
Rated Voltage: (11000/√3) / (2.5/√3) / (415) V	Standard: IEC60076-11:2004
U ₁ Line terminal U ₂ : 25/36 kV	Code: 11.7140.0759.05
Insulation Level: U ₁ Line terminal U ₂ : -/3 kV	Serial No.:
Connection Symbol: Dyn11	Phase: 3 Phase
Type of Cooling: AN	Service condition: outdoor type
Environment Level: E2	Climate Level: C2
The Limit of Temperature Rise: 100 K	
Rated Frequency: 50Hz	System temperature: 155 Pt
Total Wt: 4950 kg	Frame Layer: IP, OD
Shipping Layer: FI	Manufacturer: SAMBON SCI-TECH CO., LTD. THE PEOPLES REPUBLIC OF CHINA

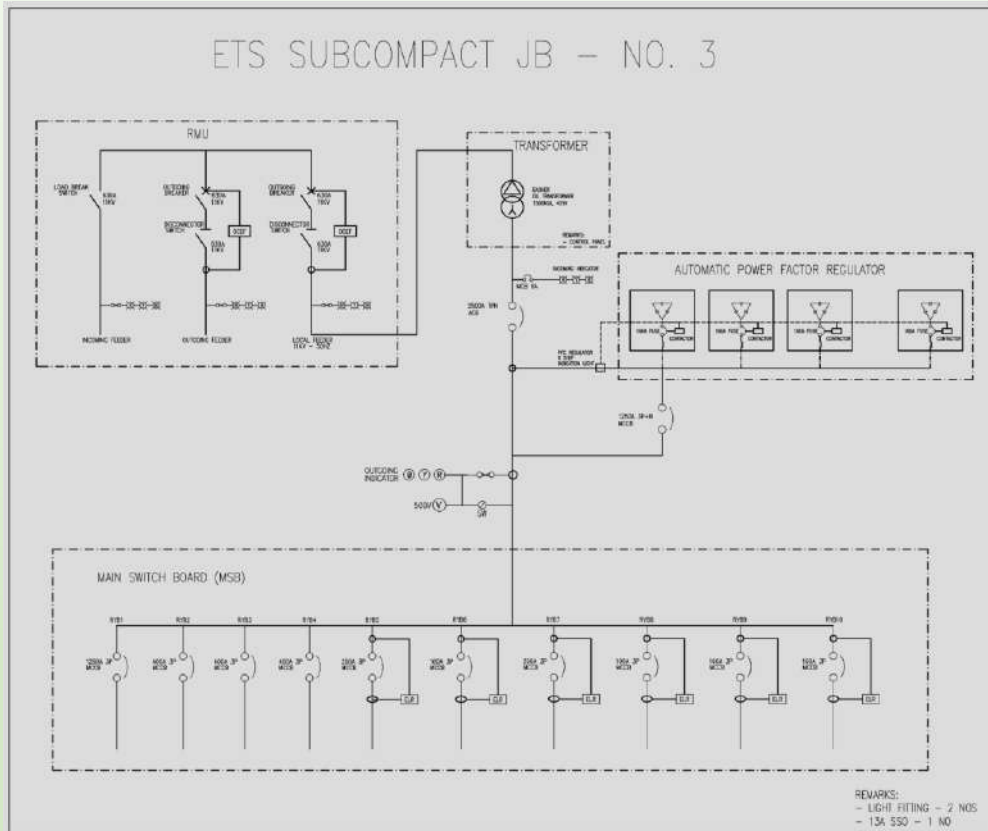


**CAST RESIN
TRANSFORMER 2000KVA**



**3200A MSB c/w 800A
EMSB & Capbank**

CONTAINERISED SUBSTATION NO.02 (TEE)



RM 158,000.00
PER SET

* USED UNIT - IN GOOD CONDITION



**OIL TRANSFORMER 1500KVA & 2500A MSB c/w
Capbank**



RING MAIN UNIT (RMU)

CONTAINERISED SUBSTATION

NO.03 (TEE)

EQUIPMENT	BRAND	YEAR	DESCRIPTION
SWITCHGEAR	HWX	2011	1 IN 3 OUT
BATTERY CHARGER	FUKUDA	-	3A 240V/30V



EMPTY ROOM

RM 88,000.00
PER SET

* USED UNIT - IN GOOD CONDITION



BATTERY CHARGER



**12KV SWITCHGEAR
(800A)**

CONTAINERISED SUBSTATION NO.04 (TEE)

EQUIPMENT	BRAND	YEAR	DESCRIPTION
SWITCHGEAR	HWX	2011	1 IN 2 OUT
SWITCHGEAR	HWX	2011	1 IN 2 OUT
BATTERY CHARGER	FUKUDA	-	5A 30V

RM 128,000.00
PER SET

* USED UNIT - IN GOOD CONDITION



**12KV SWITCHGEAR
(800A)**

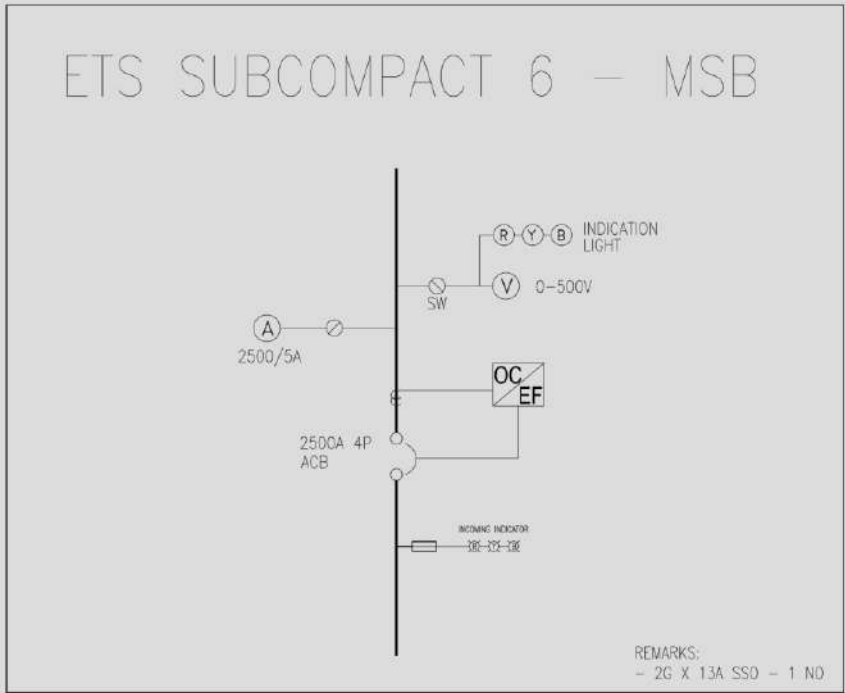


BATTERY CHARGER



**12KV SWITCHGEAR
(800A)**

CONTAINERISED SUBSTATION — NO.05 (TEE)



**2500A MSB &
RING MAIN UNIT (RMU)**

RM 108,000.00

PER SET

* USED UNIT - IN GOOD CONDITION



**CAST RESIN
TRANSFORMER 1600KVA**



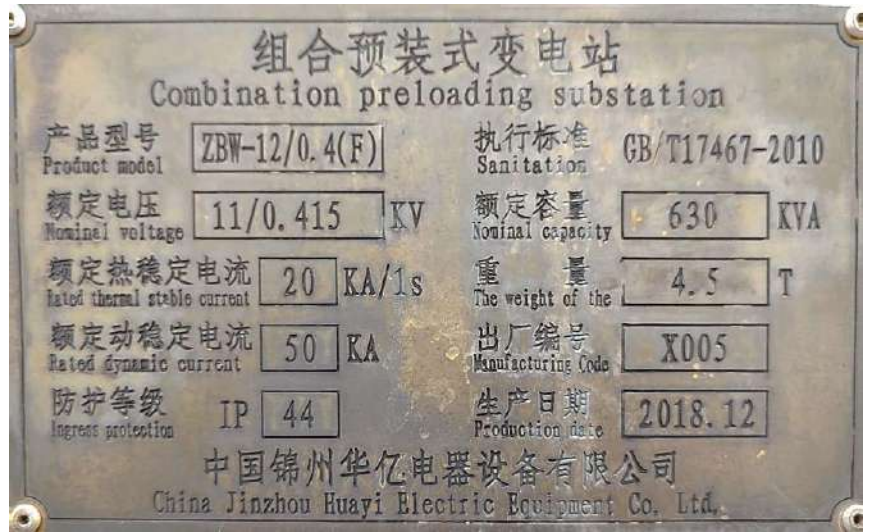


SUBCOMPACT

SUBCOMPACT

X005

RM 75,000.00
PER SET



* USED UNIT - IN GOOD CONDITION

屏柜编号	G01	G03	变压器室	屏柜编号	P1	P2	P3
主母线位置		TMY-3* (50*5)		TMY-4* (80*6)			
一次系统图							
屏柜型号	XGN15-12	XGN15-12		GGD2	GGD2	GGD2	
屏柜宽 (mm)	500*1000*1635	500*1000*1635		800*600*2000	600*600*2000	600*600*2000	
负荷开关	FLN36-12/T630-20KA 1	FLN36-12/T200-31.5KA 1	变压器参数	功率/额定电流	630KVA/876A		
熔断器		XNRT-12/63A 3	630KVA	刀开关 HD13	HD13BX-1500/31	HD13BX-1000/31	HD13BX-1000/31
操作方式	手动操作	手动操作	11 ± 2X2.5%/0.415	断路器 RA1 固定式	NA1-2000/3 1250A		
避雷器	HY5WS-17/50 3	HY5WS-17/50 3	D, yn11	断路器 NM1-□/3300		630A 250A 400A 400A 250A 250A	
带电显示器	DXN-10/Q 1	DXN-10/T 1		互感器 BB-0.66	BH-0.66 1200/5	600/5 250/5 400/5 400/5 250/5 250/5	
用途	电源进线柜	出线柜		微断断路器	DZ158-125/4P 100A		
备注				浪涌保护器	NUG-11 100KA 4P 420V		
				多功能表	AMC96L-E4		
				单相电表		PZ80-A1 PZ80-A1 PZ80-A1 PZ80-A1 PZ80-A1 PZ80-A1	



SUBCOMPACT

X004



屏柜编号	G01	G02	G03	变压器室	屏柜编号	P1	P2	P3
主母线位置			TMY-3* (50*5)		一次系统图			
一次系统图					PE: TMY-50*5			
屏柜型号	SGK15-12	SGK15-12	SGK15-12	变压器参数 630KVA 11 ± 2X2.5%/0.415 D, yn11	屏柜型号	GGD3	GGD3	GGD3
屏柜宽 (mm)	500-1000-1635	500-1000-1635	500-1000-1635		屏柜宽 (mm)	800-600-2000	600-600-2000	600-600-2000
负荷开关	FLK36-12/7630-20EA	FLK36-12D/7630-20EA	FLK36-12D/7209-3L 5KA		功率/额定电流	630KVA/876A		
熔断器			XRN-12/63A		刀开关 HD13	HD13RX-1500/31	HD13RX-1000/31	HD13RX-1000/31
操作方式	手动操作	手动操作	手动操作	断路器 KM1 固定式	KA1-2000/3 1250A			
避雷器	HY5WS-17/50	HY5WS-17/50	HY5WS-17/50	断路器 NM1-□/3300		630A 250A 400A 400A 250A 250A		
带电显示器	DXN-10/TQ	DXN-10/T	DXN-10/T	互感器 BH-0.66	BH-0.66 1200/5	800/5 250/5 400/5 400/5 250/5 250/5		
用途	电源进线柜	出线柜	出线柜	微型断路器	DZ158-125/AP 100A			
备注				浪涌保护器	NUG-LI 100EA 4P +20V			
				多功能电表	ANC96L-E4			
				单相电流表		PZ80-A1 PZ80-A1 PZ80-A1 PZ80-A1 PZ80-A1 PZ80-A1		
				用途	进线柜	出线柜	出线柜	
				备注				

* USED UNIT - IN GOOD CONDITION

组合预装式变电站
Combination preloading substation

产品型号 **ZBW-12/0.4(F)** 执行标准 GB/T17467-2010
Product model Sanitation

额定电压 **11/0.415** KV 额定容量 **630** KVA
Nominal voltage Nominal capacity

额定热稳定电流 **20** KA/1s 重量 **4.5** T
Rated thermal stable current The weight of the

额定动稳定电流 **50** KA 出厂编号 **X004**
Rated dynamic current Manufacturing Code

防护等级 **IP 44** 生产日期 **2018.12**
Ingress protection Production date

中国锦州华亿电器设备有限公司
China Jinzhou Huayi Electric Equipment Co. Ltd.

RM 75,000.00
PER SET

SUBCOMPACT 11KV TRANSFORMERS



TRANSFORMER_SGB

MODEL	DOTW 1250/10
TYPE OF COOLING	ONAN
RATED POWER	1250 KVA
HV / LV VOLTS	11000 V / 480 V
TOTAL WEIGHT	3600 KG
YEAR	2015

SWITCHGEAR_EPE

RATED VOLTAGE	12KV
RATED CURRENT	630A
YEAR	2015

BATTERY CHARGER_FUKUDA

INPUT VOLTAGE	240 V
OUTPUT VOLTAGE	30 V
RATED CURRENT	6 A



RM 95,000.00
PER SET

* USED UNIT - IN GOOD CONDITION

AM SGB SDN.BHD.
Arab-Malaysian Industrial Park
71800 Nilai, Negeri Sembilan, Malaysia
Tel : +606 799 4014 Fax : +606 799 7794
Web : www.sgb-smit.com Email : mail@amsgb.com

MINERAL OIL FILLED TRANSFORMER

TRANSFORMER	DOTW 1250/10	STANDARD	IEC 60076
RATED POWER	kVA 1250	SERIAL NO	4004536
PHASES	3	TYPE OF COOLING	ONAN
FREQUENCY	Hz 50	WINDING TEMP RISE	K 50
HV VOLTS (NO LOAD)	V 11000	TOP OIL TEMP RISE	K 55
LV VOLTS (NO LOAD)	V 480	INSULATION CLASS	A
HV AMPS (RATED LOAD)	A 65.6	HV INSUL. LEVELS kV LI/AC	75/28
LV AMPS (RATED LOAD)	A 1503.5	LV INSUL. LEVELS kV LI/AC	-/3
VECTOR GROUP SYMBOL	Dyn11	TOTAL MASS	kg. 3600
IMPEDANCE	% 4.78	MASS OF ACTIVE PART	kg. 1850
AT	1250 kVA	QTY OF MINERAL OIL	kg./lit. 770/885
YEAR OF MANUFACTURE	2015		

HV VOLTS	SWITCH POS.	CONNECT	LV VOLTS
11550	1	5 ~ 6	480
11275	2	6 ~ 4	
11000	3	4 ~ 7	
10725	4	7 ~ 3	
10450	5	3 ~ 2	

EQUIPMENT NO. [REDACTED]

VECTOR DIAGRAM

CONNECTION DIAGRAM

SUBCOMPACT QTC POWER (TEE)

MTM
MALAYSIA TRANSFORMER

Contract No. _____
 MTM Serial No. T-4/18/9560
 Manufacturing Date 21092019
 Delivery Month 012020
 Spec / Rev. No. KEJ04201:2016 REV 2.0
 Commissioning Date _____
 Rated Power kVA 750
 Type 750-113
 Phases 3
 Frequency Hz 50
 Impedance at 75 °C % 4.62
 Max. Top Oil Temp. Rise °C 60
 Winding Temp. Rise °C 65
 Cooling ONAN

No Load Loss	W	1101
Load Loss	W	6007
Mass of Copper	kg	576
Mass of Core	kg	1278
Mass of Non-elect. Steel	kg	431
Untanking Mass	kg	1857
Quantity of Oil	Litres	459
Mass of Oil	kg	434
Total Mass	kg	7328

VOLTS	CONNECT	SEL. POSN	AMPS	ACROSS	VOLTS	AMPS	ACROSS
11550	4-8	1					
11275	5-3	2					
11000	3-6	3	39.57	$A_1 B_1 C_1$	433	10000	$a_1 b_1 c_1$
10725	6-2	4					
10450	2-7	5					

VECTOR GROUP REF: Dyn 11
 HV DELTA IEC 60076 LV STAR
 INSULATION LEVEL: U 75 KV AC 28 KV U 11 KV AC 3 KV

Malaysia Transformer Manufacturing Sdn. Bhd (31108-W)
 Lot 22, Jalan A1/31, Ulu Klang
 54200 Kuala Lumpur
 Tel No. 603-410/6233 Dwg. No. TSM/750

Warranty Period: 2 Years From Month of Delivery



RM 110,000.00
PER UNIT

- * USED UNIT - IN GOOD CONDITION
- * QUANTITY: 2 UNITS



SUBCOMPACT MERDEKA 118 (TEE)



TRANSFORMER	
RATED POWER	1000 KVA
HV / LV VOLTS	11000 V / 433 V
RMU_TAMCO	
RATED VOLTAGE	12KV
RATED CURRENT	630A
YEAR	2014

RM 125,000.00
PER SET

* USED UNIT - IN GOOD CONDITION



TUNNEL LIGHTING DISTRIBUTION

PBE RUTHERFORD	
RATED POWER	10 KVA
PRI VOLTS	1000V
SEC VOLTS	110 V
STATUS	USED UNIT - IN GOOD CONDITION



- i) 214.5 KG – RM4,290.00
- ii) 213.0 KG – RM4,260.00

* PRICE RATE: RM20.00/KG



RUTHERFORD GLOBAL POWER	
RATED POWER	5 KVA
PRI VOLTS	415V
SEC VOLTS	110 V
YEAR	2015
STATUS	USED UNIT - IN GOOD CONDITION

- i) 186.5 KG – RM3,730.00
- ii) 192.5 KG – RM3,850.00

* PRICE RATE: RM20.00/KG

GENERATOR SET (TEE)

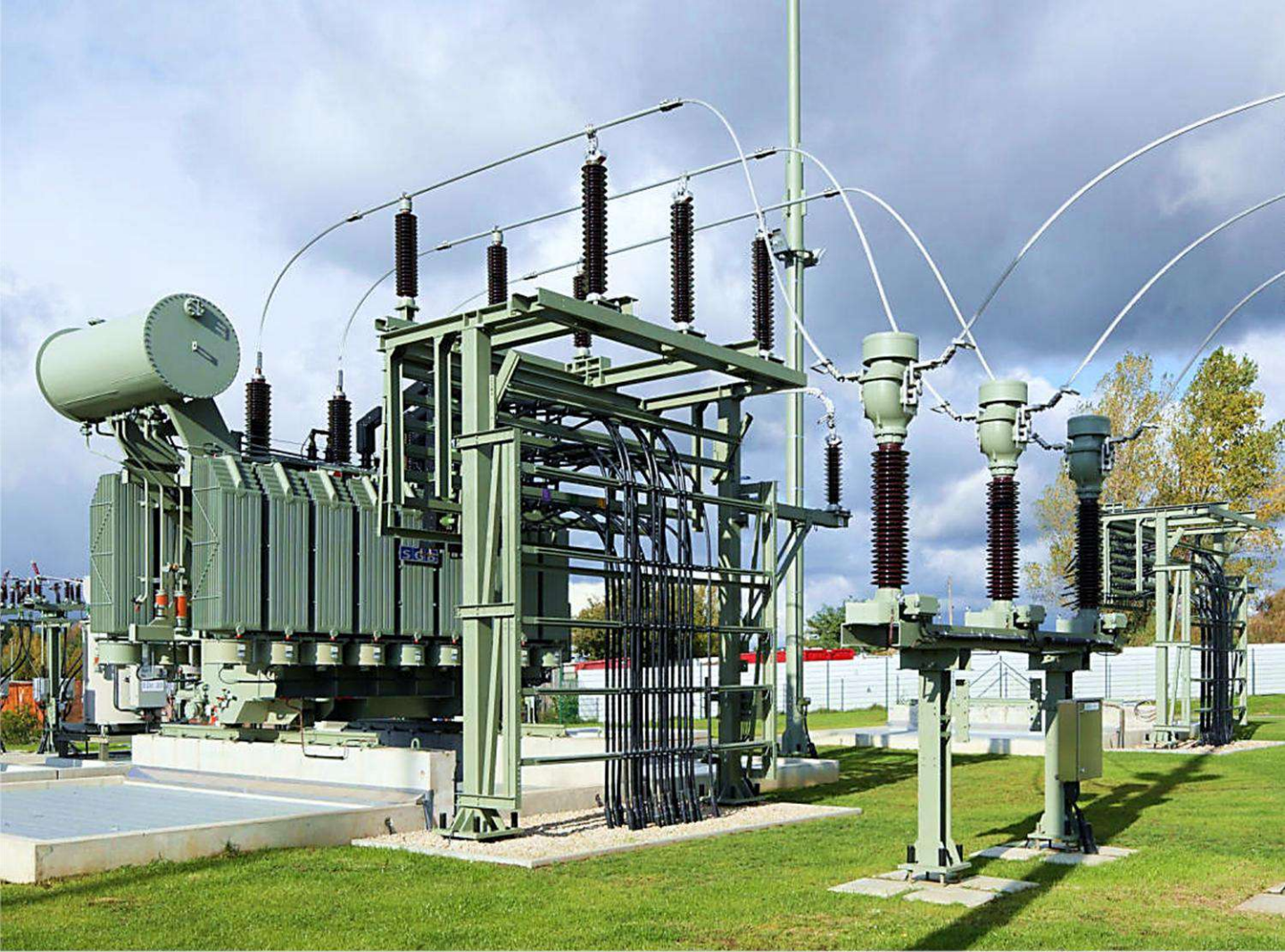


DENYO DCA – 60	
RATED OUTPUT	50/60 KVA
PRI VOLTS	200-220 V
SEC VOLTS	144-157 V
QUANTITY	2 UNITS
WEIGHT	1440 KG

RM 28,000.00
PER UNIT

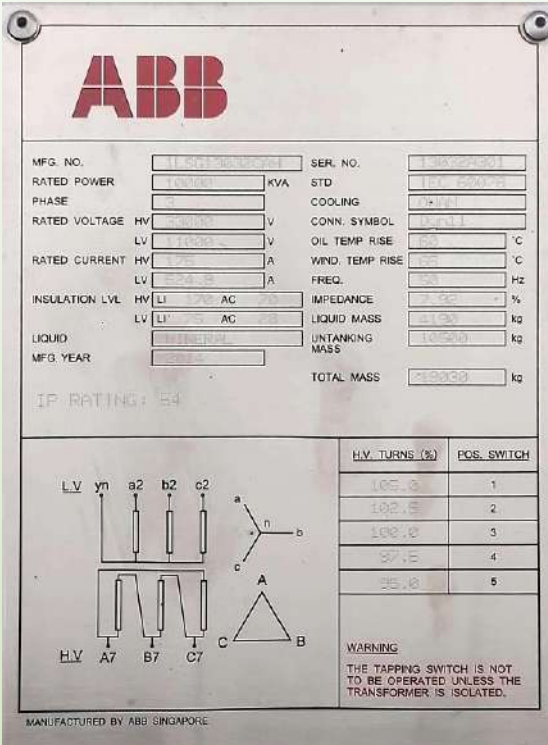
* USED UNIT - IN GOOD CONDITION





TRANSFORMERS

33 KV OIL TYPE TRANSFORMERS



ABB

MFG. NO. [] SER. NO. []
 RATED POWER [] KVA STD []
 PHASE [] COOLING []
 RATED VOLTAGE HV [] V CONN. SYMBOL []
 LV [] V OIL TEMP. RISE [] °C
 RATED CURRENT HV [] A WIND. TEMP. RISE [] °C
 LV [] A FREQ. [] Hz
 INSULATION LVL HV [] AC IMPEDANCE [] %
 LV [] AC LIQUID MASS [] kg
 LIQUID [] UNTANKING MASS [] kg
 MFG. YEAR [] TOTAL MASS [] kg

IP-RATING: E4

H.V. TURNS (%)	POS. SWITCH
100.0	1
100.0	2
100.0	3
97.5	4
95.0	5

WARNING
 THE TAPPING SWITCH IS NOT TO BE OPERATED UNLESS THE TRANSFORMER IS ISOLATED.

MANUFACTURED BY ABB SINGAPORE

TRANSFORMER_ABB (TEE)

TYPE OF COOLING	OIL IMMERSED HERMETICALLY SEALED (ONAN)
RATED POWER	10000 KVA
HV / LV VOLTS	33000 V / 11000 V
TOTAL WEIGHT	19030 KG
YEAR	2014
STATUS	USED UNIT - IN GOOD CONDITION

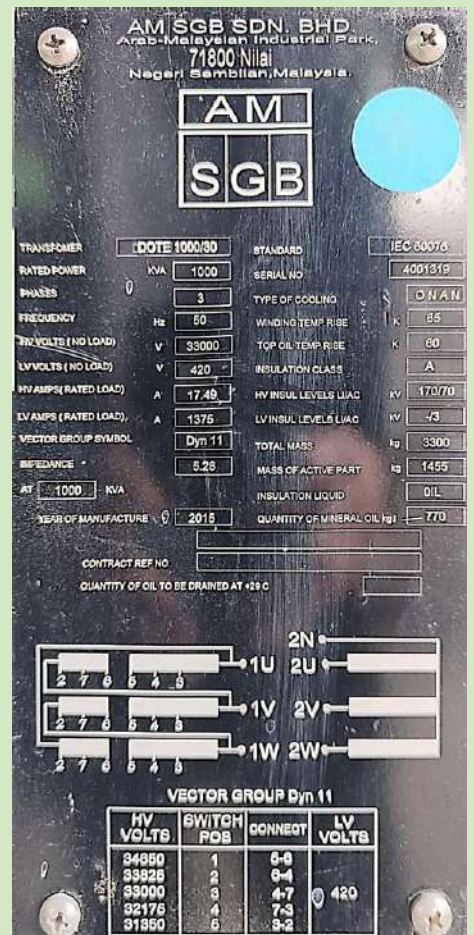


RM375,000.00

TRANSFORMER_SGB (DOTE 1000/30)

MODEL	DOTE 1000/30
TYPE OF COOLING	ONAN
RATED POWER	1000 KVA
HV / LV VOLTS	33000 V / 420 V
TOTAL WEIGHT	3300 KG
YEAR	2015
STATUS	USED UNIT - IN GOOD CONDITION

RM65,000.00

AM SGB SDN. BHD.
 Arab-Malaysian Industrial Park,
 71800 Nilai
 Negeri Sembilan, Malaysia.

AM SGB

TRANSFORMER [] DOTE 1000/30 STANDARD IEC 60076
 RATED POWER [] KVA 1000 SERIAL NO. 4001319
 PHASES [] 3 TYPE OF COOLING ONAN
 FREQUENCY [] Hz 50 WINDING TEMP. RISE [] K 85
 HV VOLTS (NO LOAD) [] V 33000 TOP OIL TEMP. RISE [] K 60
 LV VOLTS (NO LOAD) [] V 420 REGULATION CLASS [] A
 HV AMPS (RATED LOAD) [] A 17.40 HV INSUL. LEVELS LIAC [] kV 170/70
 LV AMPS (RATED LOAD) [] A 1375 LV INSUL. LEVELS LIAC [] kV 43
 VECTOR GROUP SYMBOL [] Dyn 11 TOTAL MASS [] kg 3300
 IMPEDANCE [] 5.25 MASS OF ACTIVE PART [] kg 1455
 AT [] KVA INSULATION LIQUID [] OIL
 YEAR OF MANUFACTURE [] 2015 QUANTITY OF MINERAL OIL [] kg 770

CONTRACT REF. NO. []
 QUANTITY OF OIL TO BE DRAINED AT +25 °C []

2N
 2U 2V
 1U 2V
 1V 2V
 1W 2W

VECTOR GROUP Dyn 11

HV VOLTS	SWITCH POB	CONNECT	LV VOLTS
34950	1	6-9	420
33825	2	6-4	
33000	3	4-7	
32175	4	7-3	
31850	5	8-2	

11 KV OIL TYPE TRANSFORMERS

TRANSFORMER_MEIDEN

TYPE OF COOLING	OIL IMMERSSED HERMETICALLY SEALED (ONAN)
RATED POWER	2500 KVA
HV / LV VOLTS	11000 V / 415 Y/240 V
TOTAL WEIGHT	6700 KG
YEAR	2002
STATUS	USED UNIT - IN GOOD CONDITION

RM100,000.00



MEIDEN TRANSFORMER

RATED POWER	2500 kVA	IEC 60075
PHASE	3	RATED FREQUENCY 50 Hz
RATED VOLTAGES (NO LOAD AT NORMAL TAPPING)		
HV	11000 V	LV 415 Y / 240 V
INSULATION LEVELS HV LI 75 AC 28 kV		
LV LI — AC 3 kV		
TYPE OF COOLING ONAN TYPE NORG		
IMPEDANCE VOLT AT RATED CURRENT (75°C) 6.08 %		
CONNECTION SYMBOL Dyn11		
TEMPERATURE RISE OIL	80 °C	WINDING 65 °C
MASS TOTAL	6700 kg	MINERAL OIL 1310 kg
CORE AND WINDINGS 3800 kg		
QUANTITY OF MINERAL OIL 1450 ℓ		
SERIAL NO. 123985-011 DATE 08, 2002		

LV ϕ_{yn} ϕ_a ϕ_b ϕ_c

LV (TERMINALS yn a b c)		
VOLTAGE (V)	CURRENT (A)	
415 Y / 240	3480	
HV (TERMINALS A B C)		
HV TURNS %	SWITCH POSITION	CURRENT (A)
105	1	125
102 1/2	2	126
100	3	131
97 1/2	4	135
95	5	138

HV ϕ_A ϕ_B ϕ_C

Meiden Singapore Pte. Ltd.
In Collaboration with MEIDENSHA JAPAN SIN47619U SIN49803

MEIDEN TRANSFORMER

RATED POWER	2000 kVA	BS 171 : 1978
No. OF PHASES	3	RATED FREQUENCY 50 Hz
RATED VOLTAGES (NO LOAD AT NORMAL TAPPING)		
HV	11000 V	LV 433 Y / 250 V
INSULATION LEVELS HV BIL 75 kV		
LV AC 3 kV		
TYPE OF COOLING ONAN TYPE NORG		
IMPEDANCE VOLT AT RATED CURRENT (75°C) 5.35 %		
CONNECTION SYMBOL Dyn11		
TEMPERATURE RISE OIL	80 °C	WINDING 65 °C
MASS TOTAL	5250 kg	OIL 820 kg
CORE AND WINDINGS 3000 kg		
QUANTITY OF OIL 1100 ℓ		
SERIAL No. TS4889-012 DATE 06 / 92		

LV ϕ_{yn} ϕ_{a2} ϕ_{b2} ϕ_{c2}

LV (TERMINALS yn a2 b2 c2)		
VOLTAGE (V)	CURRENT (A)	
433 Y / 250	2870	
HV (TERMINALS A _B B _B C _B)		
HV TURNS %	SWITCH POSITION	CURRENT (A)
105	1	100
102 1/2	2	102
100	3	105
97 1/2	4	108
95	5	111

HV ϕ_{A_B} ϕ_{B_B} ϕ_{C_B}

Meiden Singapore Pte. Ltd.

In Collaboration with MEIDENSHA

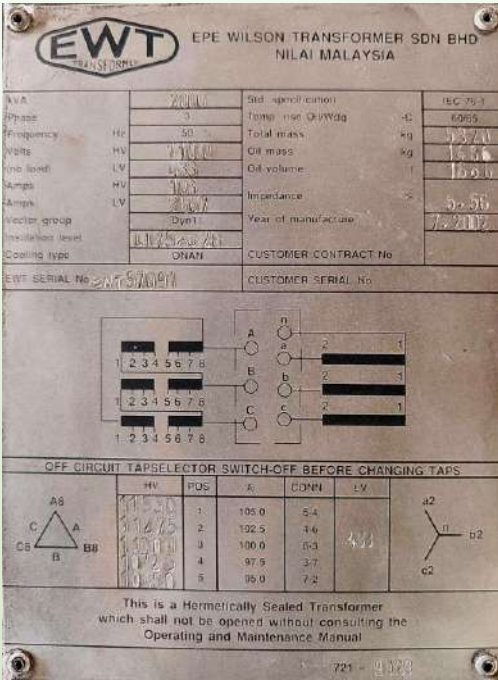
TRANSFORMER_MEIDEN

TYPE OF COOLING	OIL IMMERSSED HERMETICALLY SEALED (ONAN)
RATED POWER	2000 KVA
HV / LV VOLTS	11000 V / 433 Y/250 V
TOTAL WEIGHT	5250 KG
YEAR	1992
STATUS	USED UNIT - IN GOOD CONDITION



RM70,000.00

11 KV OIL TYPE TRANSFORMERS

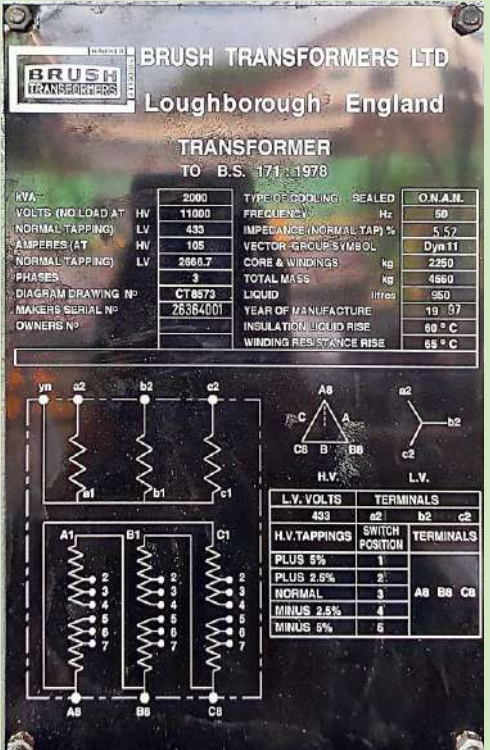


TRANSFORMER_EWT (TEE)	
TYPE OF COOLING	OIL IMMERSSED HERMETICALLY SEALED (ONAN)
RATED POWER	2000 KVA
HV / LV VOLTS	11000 V / 433 V
TOTAL WEIGHT	5320 KG
YEAR	2002
STATUS	USED UNIT - IN GOOD CONDITION



RM85,000.00

TRANSFORMER_BRUSH (PROTECH)	
TYPE OF COOLING	OIL IMMERSSED HERMETICALLY SEALED (ONAN)
RATED POWER	2000 KVA
HV / LV VOLTS	11000 V / 433 V
TOTAL WEIGHT	4560 KG
YEAR	1997
STATUS	USED UNIT - IN GOOD CONDITION



RM 70,000.00

11 KV OIL TYPE TRANSFORMERS

TRANSFORMERS_TUSCO TRAF0

TYPE OF COOLING	OIL IMMERSSED HERMETICALLY SEALED (ONAN)
RATED POWER	1500 KVA
HV / LV VOLTS	11000 V / 210/121 V
TOTAL WEIGHT	4800 KG
YEAR	2004
STATUS	USED UNIT - IN GOOD CONDITION

RM 83,000.00



TUSCO TRAF0 CO.,LTD.
Thailand

THREE PHASE OIL IMMERSSED TRANSFORMER

RATED KVA	1500	Fac. SN.	471079
PRI. VOLT.	11000	SEC. VOLT.	210/121
PRI. BIL. (kV)	75	SEC. BIL. (kV)	-
PRI. AMP.	78.73	SEC. AMP.	4123.93
TYPE OF COOLING	ONAN	% IMP. VOLT. AT 75°C	6.44
PHASE	3	STANDARD	IEC 60076
FREQUENCY (Hz)	50	INSULATING OIL	MINERAL OIL
CLASS	A	OIL QUANTITY (L)	1450
OIL TEMP. RISE (°C)	60	PRI. CONDUCTOR MATERIAL	COPPER
WIND. TEMP. RISE (°C)	65	SEC. CONDUCTOR MATERIAL	COPPER
MAX. AMB. TEMP. (°C)	40	LIFTING WT. (kg.)	2450
YEAR	2004	TOTAL WT. (kg.)	4800

Connection Diagram **Phasor Diagram**

Vector Group Dyn11

PRI. SIDE		SEC. SIDE	
TAP CONNECTION	VOLTAGE	TERMINAL	VOLTAGE
1 5 - 4	11550	a TO b	210
2 5 - 3	11275	b TO c	
3 6 - 2	11000	c TO a	
4 6 - 2	10725	b TO n	121
5 7 - 2	10450	c	

PURCHASE CONTRACT NO. _____
 INSTRUCTION BOOK _____ SER. No. _____
 CODE _____ No SB-11325

TRANSFORMER_SGB (TEE)

TYPE OF COOLING	OIL IMMERSSED HERMETICALLY SEALED (ONAN)
RATED POWER	1500 KVA
HV / LV VOLTS	11000 V / 433 V
TOTAL WEIGHT	3900 KG
YEAR	2002
STATUS	USED UNIT - IN GOOD CONDITION

RM70,000.00



ARAB-MALAYSIAN SGB SDN. BHD.
Arab-Malaysian Industrial Park,
71800 Nilai
Negeri Sembilan, Malaysia.

SGB

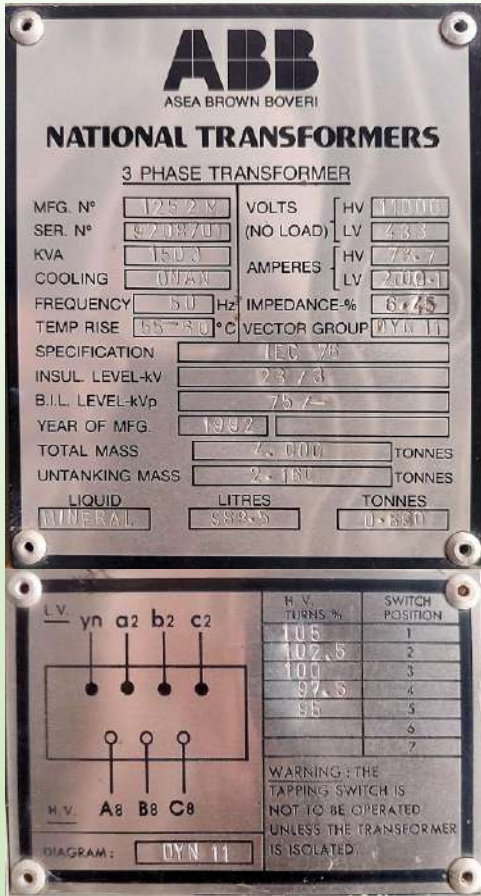
TRANSFORMER	007E100210	STANDARD	1500/235/11
RATED POWER	KVA 1500	SERIAL NO	705724
PHASES	3	TYPE OF COOLING	ONAN
FREQUENCY	Hz 50	WINDING TEMP RISE	K 65
HV VOLTS (NO LOAD)	V 11550	TOP OIL TEMP RISE	K 60
LV VOLTS (NO LOAD)	V 433	INSULATION CLASS	A
HV AMPS (RATED LOAD)	A 78.73	HV INSUL. LEVELS (U/AC)	kV 75/76
LV AMPS (RATED LOAD)	A 2070	LV INSUL. LEVELS (U/AC)	kV 7/3
VECTOR GROUP SYMBOL	DYN11	TOTAL MASS	kg 3900
IMPEDANCE	% 6.50	MASS OF OIL	kg 850
AT	kVA 1500	INSULATION LIQUID	011L
YEAR OF MANUFACTURE	2002	VOLUME OF LIQUID	l 907

CONTRACT REF NO. _____
 QUANTITY OF OIL TO BE DRAINED AT +25°C _____

VECTOR GROUP Dyn11

HV	SWITCH	CONNECT	LV
VOLTS	POS.		VOLTS
11550	1	3-4	433
11275	2	4-2	433
11000	3	2-5	433
10725	4	5-1	433
10450	5	1-6	433

11 KV OIL TYPE TRANSFORMERS



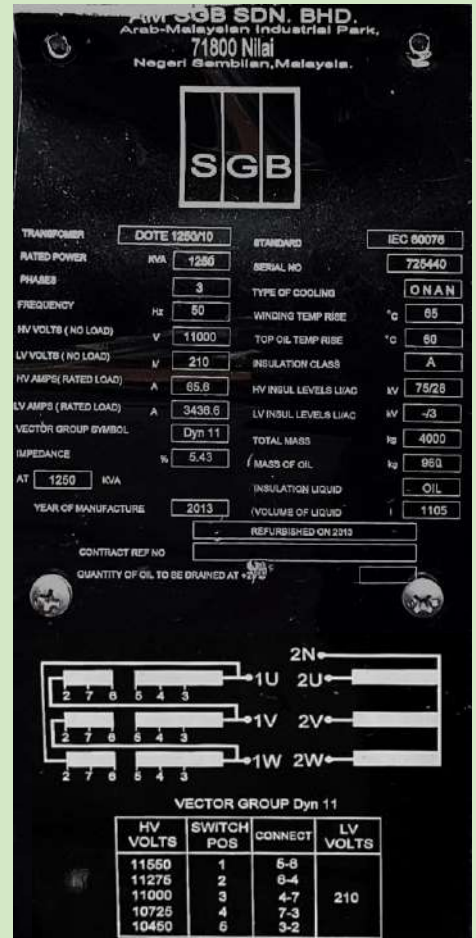
TRANSFORMER_ABB (LIKOM)	
TYPE OF COOLING	OIL IMMERSSED HERMETICALLY SEALED (ONAN)
RATED POWER	1500 KVA
HV / LV VOLTS	11000 V / 433 V
TOTAL WEIGHT	4000 KG
YEAR	1992
STATUS	USED UNIT - IN GOOD CONDITION



RM65,000.00

TRANSFORMER_SGB (TX 44)

MODEL	DOTE 1250/10
TYPE OF COOLING	OIL IMMERSSED HERMETICALLY SEALED (ONAN)
RATED POWER	1250 KVA
HV / LV VOLTS	11000 V / 210 V
TOTAL WEIGHT	4000 KG
YEAR	2013
STATUS	USED UNIT - IN GOOD CONDITION



RM 73,000.00

11 KV OIL TYPE TRANSFORMERS

TRANSFORMER_ABB (TX-2)	
TYPE OF COOLING	OIL IMMERSSED HERMETICALLY SEALED (ONAN)
RATED POWER	1250 KVA
HV / LV VOLTS	11000 V / 433 V
TOTAL WEIGHT	3882 KG
YEAR	1994
STATUS	USED UNIT - IN GOOD CONDITION

RM55,000.00



ABB
ABB TRANSFORMERS PTE LTD
 SINGAPORE
 3 PHASE TRANSFORMER

MFG. NO **13-2M** SER. NO **925601**
 KVA **1250** COOLING **ONAN**
 FREQ **50** Hz TEMP RISE **55-60** °C
 RATED NO LOAD VOLTAGE
 HV **11000** V LV **433** V
 RATED CURRENT AT PRINCIPAL TAP
 HV **65.6** A LV **1667** A
 INSULATION LEVELS
 LI **CS AC 28** LI **AC 3**
 IMPEDANCE **5.8** % LIQUID **MINERAL**
 VECTOR GRP **DYN11** LIQUID MASS **305** Kg
 SPEC. **15078** UNTANKING MASS **1949** Kg
 DATE **1994** TOTAL MASS **3882** Kg

LV	H.V. TURNS %	SWITCH POSITION
yn a2 b2 c2	100	1
	102.5	2
	105	3
	107.5	4
	110	5
	112.5	6
	115	7

H.V. A1 B1 C1
 H.V. A2 B2 C2
 H.V. A3 B3 C3
 H.V. A4 B4 C4
 H.V. A5 B5 C5
 H.V. A6 B6 C6
 H.V. A7 B7 C7
 H.V. A8 B8 C8
 H.V. A9 B9 C9
 H.V. A10 B10 C10
 H.V. A11 B11 C11
 H.V. A12 B12 C12
 H.V. A13 B13 C13
 H.V. A14 B14 C14
 H.V. A15 B15 C15
 H.V. A16 B16 C16
 H.V. A17 B17 C17
 H.V. A18 B18 C18
 H.V. A19 B19 C19
 H.V. A20 B20 C20
 H.V. A21 B21 C21
 H.V. A22 B22 C22
 H.V. A23 B23 C23
 H.V. A24 B24 C24
 H.V. A25 B25 C25
 H.V. A26 B26 C26
 H.V. A27 B27 C27
 H.V. A28 B28 C28
 H.V. A29 B29 C29
 H.V. A30 B30 C30
 H.V. A31 B31 C31
 H.V. A32 B32 C32
 H.V. A33 B33 C33
 H.V. A34 B34 C34
 H.V. A35 B35 C35
 H.V. A36 B36 C36
 H.V. A37 B37 C37
 H.V. A38 B38 C38
 H.V. A39 B39 C39
 H.V. A40 B40 C40
 H.V. A41 B41 C41
 H.V. A42 B42 C42
 H.V. A43 B43 C43
 H.V. A44 B44 C44
 H.V. A45 B45 C45
 H.V. A46 B46 C46
 H.V. A47 B47 C47
 H.V. A48 B48 C48
 H.V. A49 B49 C49
 H.V. A50 B50 C50
 H.V. A51 B51 C51
 H.V. A52 B52 C52
 H.V. A53 B53 C53
 H.V. A54 B54 C54
 H.V. A55 B55 C55
 H.V. A56 B56 C56
 H.V. A57 B57 C57
 H.V. A58 B58 C58
 H.V. A59 B59 C59
 H.V. A60 B60 C60
 H.V. A61 B61 C61
 H.V. A62 B62 C62
 H.V. A63 B63 C63
 H.V. A64 B64 C64
 H.V. A65 B65 C65
 H.V. A66 B66 C66
 H.V. A67 B67 C67
 H.V. A68 B68 C68
 H.V. A69 B69 C69
 H.V. A70 B70 C70
 H.V. A71 B71 C71
 H.V. A72 B72 C72
 H.V. A73 B73 C73
 H.V. A74 B74 C74
 H.V. A75 B75 C75
 H.V. A76 B76 C76
 H.V. A77 B77 C77
 H.V. A78 B78 C78
 H.V. A79 B79 C79
 H.V. A80 B80 C80
 H.V. A81 B81 C81
 H.V. A82 B82 C82
 H.V. A83 B83 C83
 H.V. A84 B84 C84
 H.V. A85 B85 C85
 H.V. A86 B86 C86
 H.V. A87 B87 C87
 H.V. A88 B88 C88
 H.V. A89 B89 C89
 H.V. A90 B90 C90
 H.V. A91 B91 C91
 H.V. A92 B92 C92
 H.V. A93 B93 C93
 H.V. A94 B94 C94
 H.V. A95 B95 C95
 H.V. A96 B96 C96
 H.V. A97 B97 C97
 H.V. A98 B98 C98
 H.V. A99 B99 C99
 H.V. A100 B100 C100
 H.V. A101 B101 C101
 H.V. A102 B102 C102
 H.V. A103 B103 C103
 H.V. A104 B104 C104
 H.V. A105 B105 C105
 H.V. A106 B106 C106
 H.V. A107 B107 C107
 H.V. A108 B108 C108
 H.V. A109 B109 C109
 H.V. A110 B110 C110
 H.V. A111 B111 C111
 H.V. A112 B112 C112
 H.V. A113 B113 C113
 H.V. A114 B114 C114
 H.V. A115 B115 C115
 H.V. A116 B116 C116
 H.V. A117 B117 C117
 H.V. A118 B118 C118
 H.V. A119 B119 C119
 H.V. A120 B120 C120
 H.V. A121 B121 C121
 H.V. A122 B122 C122
 H.V. A123 B123 C123
 H.V. A124 B124 C124
 H.V. A125 B125 C125
 H.V. A126 B126 C126
 H.V. A127 B127 C127
 H.V. A128 B128 C128
 H.V. A129 B129 C129
 H.V. A130 B130 C130
 H.V. A131 B131 C131
 H.V. A132 B132 C132
 H.V. A133 B133 C133
 H.V. A134 B134 C134
 H.V. A135 B135 C135
 H.V. A136 B136 C136
 H.V. A137 B137 C137
 H.V. A138 B138 C138
 H.V. A139 B139 C139
 H.V. A140 B140 C140
 H.V. A141 B141 C141
 H.V. A142 B142 C142
 H.V. A143 B143 C143
 H.V. A144 B144 C144
 H.V. A145 B145 C145
 H.V. A146 B146 C146
 H.V. A147 B147 C147
 H.V. A148 B148 C148
 H.V. A149 B149 C149
 H.V. A150 B150 C150
 H.V. A151 B151 C151
 H.V. A152 B152 C152
 H.V. A153 B153 C153
 H.V. A154 B154 C154
 H.V. A155 B155 C155
 H.V. A156 B156 C156
 H.V. A157 B157 C157
 H.V. A158 B158 C158
 H.V. A159 B159 C159
 H.V. A160 B160 C160
 H.V. A161 B161 C161
 H.V. A162 B162 C162
 H.V. A163 B163 C163
 H.V. A164 B164 C164
 H.V. A165 B165 C165
 H.V. A166 B166 C166
 H.V. A167 B167 C167
 H.V. A168 B168 C168
 H.V. A169 B169 C169
 H.V. A170 B170 C170
 H.V. A171 B171 C171
 H.V. A172 B172 C172
 H.V. A173 B173 C173
 H.V. A174 B174 C174
 H.V. A175 B175 C175
 H.V. A176 B176 C176
 H.V. A177 B177 C177
 H.V. A178 B178 C178
 H.V. A179 B179 C179
 H.V. A180 B180 C180
 H.V. A181 B181 C181
 H.V. A182 B182 C182
 H.V. A183 B183 C183
 H.V. A184 B184 C184
 H.V. A185 B185 C185
 H.V. A186 B186 C186
 H.V. A187 B187 C187
 H.V. A188 B188 C188
 H.V. A189 B189 C189
 H.V. A190 B190 C190
 H.V. A191 B191 C191
 H.V. A192 B192 C192
 H.V. A193 B193 C193
 H.V. A194 B194 C194
 H.V. A195 B195 C195
 H.V. A196 B196 C196
 H.V. A197 B197 C197
 H.V. A198 B198 C198
 H.V. A199 B199 C199
 H.V. A200 B200 C200
 H.V. A201 B201 C201
 H.V. A202 B202 C202
 H.V. A203 B203 C203
 H.V. A204 B204 C204
 H.V. A205 B205 C205
 H.V. A206 B206 C206
 H.V. A207 B207 C207
 H.V. A208 B208 C208
 H.V. A209 B209 C209
 H.V. A210 B210 C210
 H.V. A211 B211 C211
 H.V. A212 B212 C212
 H.V. A213 B213 C213
 H.V. A214 B214 C214
 H.V. A215 B215 C215
 H.V. A216 B216 C216
 H.V. A217 B217 C217
 H.V. A218 B218 C218
 H.V. A219 B219 C219
 H.V. A220 B220 C220
 H.V. A221 B221 C221
 H.V. A222 B222 C222
 H.V. A223 B223 C223
 H.V. A224 B224 C224
 H.V. A225 B225 C225
 H.V. A226 B226 C226
 H.V. A227 B227 C227
 H.V. A228 B228 C228
 H.V. A229 B229 C229
 H.V. A230 B230 C230
 H.V. A231 B231 C231
 H.V. A232 B232 C232
 H.V. A233 B233 C233
 H.V. A234 B234 C234
 H.V. A235 B235 C235
 H.V. A236 B236 C236
 H.V. A237 B237 C237
 H.V. A238 B238 C238
 H.V. A239 B239 C239
 H.V. A240 B240 C240
 H.V. A241 B241 C241
 H.V. A242 B242 C242
 H.V. A243 B243 C243
 H.V. A244 B244 C244
 H.V. A245 B245 C245
 H.V. A246 B246 C246
 H.V. A247 B247 C247
 H.V. A248 B248 C248
 H.V. A249 B249 C249
 H.V. A250 B250 C250
 H.V. A251 B251 C251
 H.V. A252 B252 C252
 H.V. A253 B253 C253
 H.V. A254 B254 C254
 H.V. A255 B255 C255
 H.V. A256 B256 C256
 H.V. A257 B257 C257
 H.V. A258 B258 C258
 H.V. A259 B259 C259
 H.V. A260 B260 C260
 H.V. A261 B261 C261
 H.V. A262 B262 C262
 H.V. A263 B263 C263
 H.V. A264 B264 C264
 H.V. A265 B265 C265
 H.V. A266 B266 C266
 H.V. A267 B267 C267
 H.V. A268 B268 C268
 H.V. A269 B269 C269
 H.V. A270 B270 C270
 H.V. A271 B271 C271
 H.V. A272 B272 C272
 H.V. A273 B273 C273
 H.V. A274 B274 C274
 H.V. A275 B275 C275
 H.V. A276 B276 C276
 H.V. A277 B277 C277
 H.V. A278 B278 C278
 H.V. A279 B279 C279
 H.V. A280 B280 C280
 H.V. A281 B281 C281
 H.V. A282 B282 C282
 H.V. A283 B283 C283
 H.V. A284 B284 C284
 H.V. A285 B285 C285
 H.V. A286 B286 C286
 H.V. A287 B287 C287
 H.V. A288 B288 C288
 H.V. A289 B289 C289
 H.V. A290 B290 C290
 H.V. A291 B291 C291
 H.V. A292 B292 C292
 H.V. A293 B293 C293
 H.V. A294 B294 C294
 H.V. A295 B295 C295
 H.V. A296 B296 C296
 H.V. A297 B297 C297
 H.V. A298 B298 C298
 H.V. A299 B299 C299
 H.V. A300 B300 C300
 H.V. A301 B301 C301
 H.V. A302 B302 C302
 H.V. A303 B303 C303
 H.V. A304 B304 C304
 H.V. A305 B305 C305
 H.V. A306 B306 C306
 H.V. A307 B307 C307
 H.V. A308 B308 C308
 H.V. A309 B309 C309
 H.V. A310 B310 C310
 H.V. A311 B311 C311
 H.V. A312 B312 C312
 H.V. A313 B313 C313
 H.V. A314 B314 C314
 H.V. A315 B315 C315
 H.V. A316 B316 C316
 H.V. A317 B317 C317
 H.V. A318 B318 C318
 H.V. A319 B319 C319
 H.V. A320 B320 C320
 H.V. A321 B321 C321
 H.V. A322 B322 C322
 H.V. A323 B323 C323
 H.V. A324 B324 C324
 H.V. A325 B325 C325
 H.V. A326 B326 C326
 H.V. A327 B327 C327
 H.V. A328 B328 C328
 H.V. A329 B329 C329
 H.V. A330 B330 C330
 H.V. A331 B331 C331
 H.V. A332 B332 C332
 H.V. A333 B333 C333
 H.V. A334 B334 C334
 H.V. A335 B335 C335
 H.V. A336 B336 C336
 H.V. A337 B337 C337
 H.V. A338 B338 C338
 H.V. A339 B339 C339
 H.V. A340 B340 C340
 H.V. A341 B341 C341
 H.V. A342 B342 C342
 H.V. A343 B343 C343
 H.V. A344 B344 C344
 H.V. A345 B345 C345
 H.V. A346 B346 C346
 H.V. A347 B347 C347
 H.V. A348 B348 C348
 H.V. A349 B349 C349
 H.V. A350 B350 C350
 H.V. A351 B351 C351
 H.V. A352 B352 C352
 H.V. A353 B353 C353
 H.V. A354 B354 C354
 H.V. A355 B355 C355
 H.V. A356 B356 C356
 H.V. A357 B357 C357
 H.V. A358 B358 C358
 H.V. A359 B359 C359
 H.V. A360 B360 C360
 H.V. A361 B361 C361
 H.V. A362 B362 C362
 H.V. A363 B363 C363
 H.V. A364 B364 C364
 H.V. A365 B365 C365
 H.V. A366 B366 C366
 H.V. A367 B367 C367
 H.V. A368 B368 C368
 H.V. A369 B369 C369
 H.V. A370 B370 C370
 H.V. A371 B371 C371
 H.V. A372 B372 C372
 H.V. A373 B373 C373
 H.V. A374 B374 C374
 H.V. A375 B375 C375
 H.V. A376 B376 C376
 H.V. A377 B377 C377
 H.V. A378 B378 C378
 H.V. A379 B379 C379
 H.V. A380 B380 C380
 H.V. A381 B381 C381
 H.V. A382 B382 C382
 H.V. A383 B383 C383
 H.V. A384 B384 C384
 H.V. A385 B385 C385
 H.V. A386 B386 C386
 H.V. A387 B387 C387
 H.V. A388 B388 C388
 H.V. A389 B389 C389
 H.V. A390 B390 C390
 H.V. A391 B391 C391
 H.V. A392 B392 C392
 H.V. A393 B393 C393
 H.V. A394 B394 C394
 H.V. A395 B395 C395
 H.V. A396 B396 C396
 H.V. A397 B397 C397
 H.V. A398 B398 C398
 H.V. A399 B399 C399
 H.V. A400 B400 C400
 H.V. A401 B401 C401
 H.V. A402 B402 C402
 H.V. A403 B403 C403
 H.V. A404 B404 C404
 H.V. A405 B405 C405
 H.V. A406 B406 C406
 H.V. A407 B407 C407
 H.V. A408 B408 C408
 H.V. A409 B409 C409
 H.V. A410 B410 C410
 H.V. A411 B411 C411
 H.V. A412 B412 C412
 H.V. A413 B413 C413
 H.V. A414 B414 C414
 H.V. A415 B415 C415
 H.V. A416 B416 C416
 H.V. A417 B417 C417
 H.V. A418 B418 C418
 H.V. A419 B419 C419
 H.V. A420 B420 C420
 H.V. A421 B421 C421
 H.V. A422 B422 C422
 H.V. A423 B423 C423
 H.V. A424 B424 C424
 H.V. A425 B425 C425
 H.V. A426 B426 C426
 H.V. A427 B427 C427
 H.V. A428 B428 C428
 H.V. A429 B429 C429
 H.V. A430 B430 C430
 H.V. A431 B431 C431
 H.V. A432 B432 C432
 H.V. A433 B433 C433
 H.V. A434 B434 C434
 H.V. A435 B435 C435
 H.V. A436 B436 C436
 H.V. A437 B437 C437
 H.V. A438 B438 C438
 H.V. A439 B439 C439
 H.V. A440 B440 C440
 H.V. A441 B441 C441
 H.V. A442 B442 C442
 H.V. A443 B443 C443
 H.V. A444 B444 C444
 H.V. A445 B445 C445
 H.V. A446 B446 C446
 H.V. A447 B447 C447
 H.V. A448 B448 C448
 H.V. A449 B449 C449
 H.V. A450 B450 C450
 H.V. A451 B451 C451
 H.V. A452 B452 C452
 H.V. A453 B453 C453
 H.V. A454 B454 C454
 H.V. A455 B455 C455
 H.V. A456 B456 C456
 H.V. A457 B457 C457
 H.V. A458 B458 C458
 H.V. A459 B459 C459
 H.V. A460 B460 C460
 H.V. A461 B461 C461
 H.V. A462 B462 C462
 H.V. A463 B463 C463
 H.V. A464 B464 C464
 H.V. A465 B465 C465
 H.V. A466 B466 C466
 H.V. A467 B467 C467
 H.V. A468 B468 C468
 H.V. A469 B469 C469
 H.V. A470 B470 C470
 H.V. A471 B471 C471
 H.V. A472 B472 C472
 H.V. A473 B473 C473
 H.V. A474 B474 C474
 H.V. A475 B475 C475
 H.V. A476 B476 C476
 H.V. A477 B477 C477
 H.V. A478 B478 C478
 H.V. A479 B479 C479
 H.V. A480 B480 C480
 H.V. A481 B481 C481
 H.V. A482 B482 C482
 H.V. A483 B483 C483
 H.V. A484 B484 C484
 H.V. A485 B485 C485
 H.V. A486 B486 C486
 H.V. A487 B487 C487
 H.V. A488 B488 C488
 H.V. A489 B489 C489
 H.V. A490 B490 C490
 H.V. A491 B491 C491
 H.V. A492 B492 C492
 H.V. A493 B493 C493
 H.V. A494 B494 C494
 H.V. A495 B495 C495
 H.V. A496 B496 C496
 H.V. A497 B497 C497
 H.V. A498 B498 C498
 H.V. A499 B499 C499
 H.V. A500 B500 C500
 H.V. A501 B501 C501
 H.V. A502 B502 C502
 H.V. A503 B503 C503
 H.V. A504 B504 C504
 H.V. A505 B505 C505
 H.V. A506 B506 C506
 H.V. A507 B507 C507
 H.V. A508 B508 C508
 H.V. A509 B509 C509
 H.V. A510 B510 C510
 H.V. A511 B511 C511
 H.V. A512 B512 C512
 H.V. A513 B513 C513
 H.V. A514 B514 C514
 H.V. A515 B515 C515
 H.V. A516 B516 C516
 H.V. A517 B517 C517
 H.V. A518 B518 C518
 H.V. A519 B519 C519
 H.V. A520 B520 C520
 H.V. A521 B521 C521
 H.V. A522 B522 C522
 H.V. A523 B523 C523
 H.V. A524 B524 C524
 H.V. A525 B525 C525
 H.V. A526 B526 C526
 H.V. A527 B527 C527
 H.V. A528 B528 C528
 H.V. A529 B529 C529
 H.V. A530 B530 C530
 H.V. A531 B531 C531
 H.V. A532 B532 C532
 H.V. A533 B533 C533
 H.V. A534 B534 C534
 H.V. A535 B535 C535
 H.V. A536 B536 C536
 H.V. A537 B537 C537
 H.V. A538 B538 C538
 H.V. A539 B539 C539
 H.V. A540 B540 C540
 H.V. A541 B541 C541
 H.V. A542 B542 C542
 H.V. A543 B543 C543
 H.V. A544 B544 C544
 H.V. A545 B545 C545
 H.V. A546 B546 C546
 H.V. A547 B547 C547
 H.V. A548 B548 C548
 H.V. A549 B549 C549
 H.V. A550 B550 C550
 H.V. A551 B551 C551
 H.V. A552 B552 C552
 H.V. A553 B553 C553
 H.V. A554 B554 C554
 H.V. A555 B555 C555
 H.V. A556 B556 C556
 H.V. A557 B557 C557
 H.V. A558 B558 C558
 H.V. A559 B559 C559
 H.V. A560 B560 C560
 H.V. A561 B561 C561
 H.V. A562 B562 C562
 H.V. A563 B563 C563
 H.V. A564 B564 C564
 H.V. A565 B565 C565
 H.V. A566 B566 C566
 H.V. A567 B567 C567
 H.V. A568 B568 C568
 H.V. A569 B569 C569
 H.V. A570 B570 C570
 H.V. A571 B571 C571
 H.V. A572 B572 C572
 H.V. A573 B573 C573
 H.V. A574 B574 C574
 H.V. A575 B575 C575
 H.V. A576 B576 C576
 H.V. A577 B577 C577
 H.V. A578 B578 C578
 H.V. A579 B579 C579
 H.V. A580 B580 C580
 H.V. A581 B581 C581
 H.V. A582 B582 C582
 H.V. A583 B583 C583
 H.V. A584 B584 C584
 H.V. A585 B585 C585
 H.V. A586 B586 C586
 H.V. A587 B587 C587
 H.V. A588 B588 C588
 H.V. A589 B589 C589
 H.V. A590 B590 C590
 H.V. A591 B591 C591
 H.V. A592 B592 C592
 H.V. A593 B593 C593
 H.V. A594 B594 C594
 H.V. A595 B595 C595
 H.V. A596 B596 C596
 H.V. A597 B597 C597
 H.V. A598 B598 C598
 H.V. A599 B599 C599
 H.V. A600 B600 C600
 H.V. A601 B601 C601
 H.V. A602 B602 C602
 H.V. A603 B603 C603
 H.V. A604 B604 C604
 H.V. A605 B605 C605
 H.V. A606 B606 C606
 H.V. A607 B607 C607
 H.V. A608 B608 C608
 H.V. A609 B609 C609
 H.V. A610 B610 C610
 H.V. A611 B611 C611
 H.V. A612 B612

11 KV OIL TYPE TRANSFORMERS

MALAYSIA TRANSFORMER

Contract No. **TNB 181/2015** Manufacturing Date **10-8-2017**
 Manufacturer's Serial No. **T1/17/17640** Commissioning Date
 Specification/Revision No. **KEJ04201-2014**

Rated Power **1000** KVA **3** - PHASES Frequency **50** Hz
 Impedance at 75°C **4.96** % Max. Top Oil Temp. Rise **60** °C
 Cooling **ONAN** No Load Loss **1507** W
 Type **1000-121** Load Loss **7438** W

VOLTS	CONNECT	PH	AMPS	ACROSS	VOLTS	AMPS	ACROSS
11550	4-5	1					
11275	5-3	2					
11000	3-6	3	52.49	A ₁ , B ₁ , C ₁	433	1333.3	a ₁ , b ₁ , c ₁
10725	6-2	4					
10450	2-7	5					

VECTOR GROUP REF. **Dyn 11** IEC 60076
 HV DELTA LV STAR
 INSULATION LEVEL LI 75 KV AC 28 KV LI - KV AC 3 KV

Mass of Copper **2952** kg Untanking Mass **2108** kg
 Mass of Core **1125** kg Transformer Mass **3190** kg
 Mass of Non-electrical Steel **577** kg Total Mass With Transformer Guard **3284** kg
 Oil **244** Litres **225** kg

Malaysia Transformer Manufacturing Sdn Bhd (11108-9)
 Lot 72, Jalan AS 1/1, Mukim Wang, 54000 Kuala Lumpur, Tel No : 603-11076337 Drawing No. **10117/17640**

TRANSFORMER_MTM (TEE)

TYPE OF COOLING	OIL IMMERSSED HERMETICALLY SEALED (ONAN)
RATED POWER	1000 KVA
HV / LV VOLTS	11000 V / 433 V
TOTAL WEIGHT	3284 KG
YEAR	2017
STATUS	USED UNIT - IN GOOD CONDITION



RM52,500.00

TRANSFORMER_ASEA (TEE)

TYPE OF COOLING	OIL IMMERSSED HERMETICALLY SEALED (ONAN)
RATED POWER	1000 KVA
HV / LV VOLTS	11000 V / 433 V
TOTAL WEIGHT	3300 KG
YEAR	1979
STATUS	USED UNIT - IN GOOD CONDITION

RM35,000.00



ASEA

Transformer Phases **3** **50** Hz
 Type **TOH 1000** Serial no. **6108226**
 kVA **1000** Manufactured **79-41**
 Standard **IEC 76-1976**

Tapping	H.V. A B C			L.V. n a b c			U _t %
	Insul. level	Insul. level	U _t %	Insul. level	Insul. level	U _t %	
1	11550						
2	11275						
3	11000	52.5	433	1333	5.1		
4	10725						
5	10450						

Total weight **3300** Kg Temp. rise
 Core & Wdg. **1800** Kg Temp. class. **A**
 Weight of Oil **950** Kg Type of cooling **ONAN**
 Vector symbol **Dyn 11**

Made by **ASEA** Denmark
 Fabr. par **Denmark**

11 KV OIL TYPE TRANSFORMERS

TRANSFORMER_LKH (TEE)

TYPE OF COOLING	OIL IMMERSSED HERMETICALLY SEALED (ONAN)
RATED POWER	1000 KVA
HV / LV VOLTS	11000 V / 433 V
TOTAL WEIGHT	2900 KG
YEAR	1998
STATUS	USED UNIT - IN GOOD CONDITION

RM40,000.00



LKH POWER TRANSFORMERS (M) SDN BHD
 LD1818, MUKIM KOPPA, JALAN KUSALAK OFF JALAN MERU, 41000 KLANG, SELANGOR DARUL EHSAN, MALAYSIA

TRANSFORMER TO IEC STANDARD 76

RATED POWER: KVA SERIAL NO:

PHASES: TYPE OF COOLING:

FREQUENCY: Hz WINDING TEMP RISE: degC

HV VOLTS (NO LOAD): V TOP OIL TEMP RISE: degC

LV VOLTS (NO LOAD): V INSULATION CLASS:

HV AMPS (RATED LOAD): A HV INSUL LEVELS KV: LI AC

LV AMPS (RATED LOAD): A LV INSUL LEVELS KV: LI AC

VECTOR GROUP SYMBOL: TOTAL MASS: kg

IMPEDANCE: MASS OF OIL: kg

AT: KVA INSULATION LIQUID:

YEAR OF MANUFACTURE: VOLUME OF LIQUID:

TNB SERIAL NO: CONTRACT REF NO:

HV VOLTS	SWITCH POS	CONNECT	LV VOLTS
11550	+5	4-5	433
11275	+2.5	5-3	433
11000	0	3-6	433
10725	-2.5	6-2	433
10450	-5	2-7	433

Q.C PASS

ABB TRANSFORMER NO.3 (TEE)

TYPE OF COOLING	OIL IMMERSSED HERMETICALLY SEALED (ONAN)
RATED POWER	1000 KVA
HV / LV VOLTS	11000 V / 433 V
TOTAL WEIGHT	3276 KG
YEAR	1996
STATUS	USED UNIT - IN GOOD CONDITION

ABB TRANSFORMERS PTE LTD
 SINGAPORE

3 PHASE TRANSFORMER

MFG. NO: SER. NO:

KVA: COOLING:

FREQ: Hz TEMP RISE: °C

RATED NO. LOAD VOLTAGE
 HV: V LV: V

RATED CURRENT AT PRINCIPAL TAP
 HV: A LV: A

INSULATION LEVELS
 LI AC: LI AC:

IMPEDANCE: % LIQUID: Kg

VECTOR GRP: LIQUID MASS: Kg

SPEC: UNTANKING MASS: Kg

DATE: TOTAL MASS: Kg

H.V. DIAGRAM

H.V. TURNS %	SWITCH POSITION
1	
2	
3	
4	
5	
6	
7	

WARNING:
 THE TAPPING SWITCH IS NOT TO BE OPERATED UNLESS THE TRANSFORMER IS ISOLATED.



RM40,000.00

11 KV OIL TYPE TRANSFORMERS

TRANSFORMER_MTM (TEE)	
TYPE OF COOLING	OIL IMMERSED HERMETICALLY SEALED (ONAN)
RATED POWER	300 KVA
HV / LV VOLTS	11000 V / 433 V
TOTAL WEIGHT	2448 KG
YEAR	1990
STATUS	USED UNIT - IN GOOD CONDITION

RM30,000.00



MTM MALAYSIA TRANSFORMER MANUFACTURING SDN. BHD.
ULU KELANG, SELANGOR DARUL EHSAN, MALAYSIA.
DRG. NO. TR 11/3/11

SERIAL NO. **T47 89/ 30163** DATE **14 - 2 - 90**
300 kVA 3 PHASE 50 Hz

IMPEDANCE PER CENT AT 75°C **4.60**
 OIL **386** LITRES **366** kg
 UNTANKING MASS **1757** kg
 TOTAL MASS **2448** kg

VOLTS	CONNECT	SEL. POS.	AMPS	ACROSS	VOLTS	AMPS	ACROSS
11550	4-5	1					
11275	5-3	2					
11000	3-6	3	15 * 75	A ₁ B ₂ C ₁	433	40.0	a ₂ b ₂ c ₂
10725	6-2	4					
10450	2-7	5					

H.V. WINDING **L.V. WINDING**

VECTOR GROUP REF. **Dy 11** BS 171-1976 AND LLN/TI 1977
 H.V. DELTA L.V. STAR

INSULATION LEVEL 75 kV **U.S. FULL WAVE** 2.5 kV 50 Hz 1 MINUTE
 MAXIMUM OIL RISE **55°C**

ONAN TRANSFORMER

HYVOLT III (INSULATING OIL)

RM 1,200.00
PER TONG

* UNUSED UNIT - IN GOOD CONDITION



CAST RESIN 3.3KV DRY TYPE TRANSFORMERS

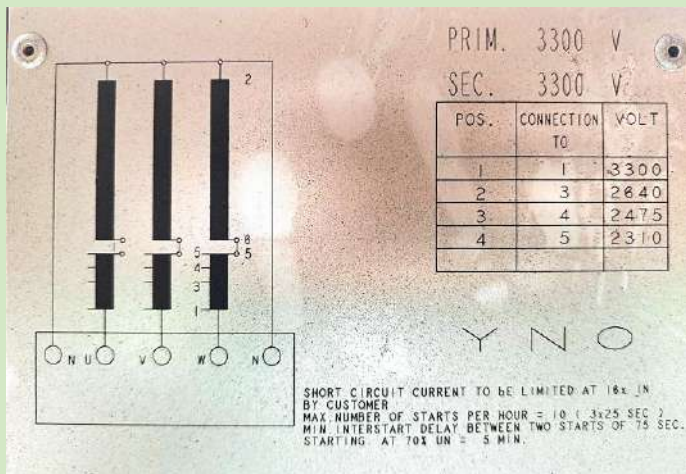


TRANSFORMER_PAUWELS TRAF0 BELGIUM (TEE)

RATED POWER	1787 KVA
HV / LV VOLTS	3300 V / 3300 V
TOTAL WEIGHT	2070 KG
YEAR	1997
STATUS	USED UNIT - IN GOOD CONDITION

RM 65,000.00 PER UNIT

		KVA		T.RISE		SPECIFICATIONS	
RATED KVA	AN 1787					TEC726	
IP00	AF					YEAR	1997
						FREQUENCY	50 Hz
						MAT. CLASS	F
VOLTAGE	V		H.V.		L.V.	INSUL. LEVEL	3.5 kv
		1	3300		3300	B.I.L.	40 kv
		2			2640	DUTY	CONT.
		3			2475	PHASES	3
		4			2310	MAX. AMB. TEMP.	°C
					COOLING	AN	
						PROTECTION DEGREE	IP00
						VECTOR GROUP	YNO
RATED CURR.	A		312.6		446.6	SHORT CIRCUIT IMP.	2.05 %
MAX. CURR.						SHORT CIRCUIT CURR.	kIN
TRANSFORMER MASS		2070	KG			SHORT CIRCUIT TIME	s
						SER.NR.	97 5 2694



CAST RESIN 11 KV DRY TYPE TRANSFORMERS

STARKSTROM-GERÄTEBAU GMBH REGENSBURG Federal Republic of Germany		Three-phase transformer		INDOOR	
Type	DTTH 1600/10	Serial No.	96712	IEC	
Rated power	kVA 1600	Year of manufacture	1996		
Rated voltage	V 11550	433	Rated frequency	Hz 50	
	2 11275		Connection symbol	Dyn11	
	3 11000		Type of cooling	AN	
	4 10725		Protection class	IP00	
5 10450	Weight	kg 3800			
Rated current	A 83.98 2133	Winding material	HV/LV Co/Co		
U _m	kV 12/11	Sound power L _{WA}	dB		
Ins. level	kV 11 75 AC 28 / LI - AC 3	Sound press. L _{pA}	dB		
Impedance voltage	% 6.2	Environment class	E1 Climate class C2		
Short-circuit duration max.	s 2	Ins. class HV/LV	F/F Fire class F0		
Short-circuit current	kA 1.35				



TRANSFORMER_SGB (TEE)	
TYPE	DTTH 1600/10
RATED POWER	1600 KVA
HV / LV VOLTS	11000 V / 433 V
TOTAL WEIGHT	3800 KG
YEAR	1996
QUANTITY	2 NOS
STATUS	USED UNIT - IN GOOD CONDITION

RM 75,000.00 PER UNIT

ARAB-MALAYSIAN SGB SDN. BHD.		Three-phase transformer		INDOOR	
Arab-Malaysian Industrial Park 71800 Nilai Negeri Sembilan, Malaysia.		Type	DTTH 1600/10	Serial No.	96712
Rated power	kVA 1600	Year of manufacture	1996		
Rated voltage	V 11550	433	Rated frequency	Hz 50	
	2 11275		Connection symbol	Dyn11	
	3 11000		Type of cooling	AN	
	4 10725		Protection class	IP00	
5 10450	Weight	kg 3800			
Rated current	A 83.98 2133	Winding material	HV/LV Co/Co		
U _m	kV 12/11	Sound power L _{WA}	dB		
Ins. level	kV 11 75 AC 28 / LI - AC 3	Sound press. L _{pA}	dB		
Impedance voltage	% 6.2	Environment class	E1 Climate class C2		
Short-circuit duration max.	s 2	Ins. class HV/LV	F/F Fire class F0		
Short-circuit current	kA 1.35				



TRANSFORMER_SGB (TEE)	
TYPE	DTTH 1600/10
RATED POWER	1600 KVA
HV / LV VOLTS	11000 V / 433 V
TOTAL WEIGHT	3800 KG
YEAR	1996
QUANTITY	3 NOS
STATUS	USED UNIT - IN GOOD CONDITION

RM 75,000.00 PER UNIT

CAST RESIN 11 KV DRY TYPE TRANSFORMERS

TRANSFORMER_ABB (TEE)

RATED POWER	1500 KVA
HV / LV VOLTS	11000 V / 433 V
TOTAL WEIGHT	4600 KG
YEAR	1995
STATUS	USED UNIT - IN GOOD CONDITION

RM 75,000.00



ABB
ASEA BROWN BOVERI

ABB Power Transmission
Distribution Transformer Division

TRANSFORMER PERFORMANCE TO IEC726-1982

RATED kV.A	1500	IMP% AT 1500 kV.A 75°C	6.0
PH	3	TEMP CLASS OF INSUL	F
FREQ Hz	50	INSUL LEVELS	LI 75 AC28/AC3
HV amperes	78.7	WDG TEMP RISE °C	100
LV amperes	2000	COOLING TYPE	AN
CONN SYMBOL	Dyn11	TOTAL MASS	kg 4600

TAPS CONN	HV NO LOAD volts	LV NO LOAD volts
1 - 2 : 8 - 7	11550	433
1 - 2 : 8 - 6	11275	
1 - 3 : 8 - 6	11000	
1 - 3 : 8 - 5	10725	
1 - 4 : 8 - 5	10450	

MADE IN AUSTRALIA IN 1995

PURCHASER'S CONTRACT NO

PURCHASER'S SERIAL NO

ABB SERIAL NO 089609 1

PL NO 914213 REVISION A

Trafo-Union

GEAFOL®

Three - phase transformer for indoor installation

Type 4GB6346-8 DC	S.-No. K7 46280	IEC	726	
Rat.-capacity	2000 kVA	Year	1996	
Conn. 5-6	11 550 V	415 V	Rat.-freq.	50 Hz
Conn. 4-6	11 275 V		Vector group	Dyn 11
Rat.-volt. 4-7	11 000 V		Type of cool.	AN
Conn. 3-7	10 725 V		Prot.class	IP00
Conn. 3-8	10 450 V		Weight	4,42 t
Rat.-current	105,0 A	2 782 A		
Um	12 / 1.1 kV	Insulation level	AC 28 - LI 75 / AC 3	
Imped. volt.	5,9 %	Max.sh.-circ.-duration	2 s	
Sh.-circ.-current	kA	Therm.class HV/LV	F / F	
Environment / climate / firecat : E2 / C2 / F1				
Rat. - capacity at AF - cooling = 2 500 kVA				

0 424 601 3

RM 105,000.00

TRANSFORMER_TRAFO-UNION (TEE)

RATED POWER	2000 KVA
HV / LV VOLTS	11000 V / 415 V
TOTAL WEIGHT	4420 KG
YEAR	1996
STATUS	USED UNIT - IN GOOD CONDITION



CAST RESIN 11 KV DRY TYPE TRANSFORMERS (TEE)

RM 110,000.00 PER UNIT

QUANTITY: 2 NOS

* USED UNIT - IN GOOD CONDITION

uic CAST RESIN DRY-TYPE TRANSFORMER
EXICASH

TYPE OF COOLING STD.

KVA PHASE HZ


POLARITY VECTOR SYMBOL

AMB. TEMP. °C ENVIRONMENTAL CLASS

CLIMATIC CLASS FIRE BEHAVIOUR CLASS

	PRIMARY		SECONDARY	
VOLTAGE	<input type="text" value="11000"/>	V	<input type="text" value="11000/13500"/>	V
AMPERE	<input type="text" value="100/110"/>	A	<input type="text" value="2667/3467"/>	A
CONNECTION	<input type="text" value="Y"/>		<input type="text" value="Y"/>	
INSU. LEVEL	<input type="text" value="BIL 7"/>	KV	<input type="text" value="BIL --"/>	KV
TEMP. RISE	<input type="text" value="100"/>	K	<input type="text" value="100"/>	K
INSU. CLASS	<input type="text" value="F"/>		<input type="text" value="F"/>	

TAP	VOLTAGE	TAP POSI.
	11550 V	①
	11275 V	②
	11000 V	③
	10725 V	④
	10450 V	⑤



IMPEDANCE % @ °C TOTAL WT. KG

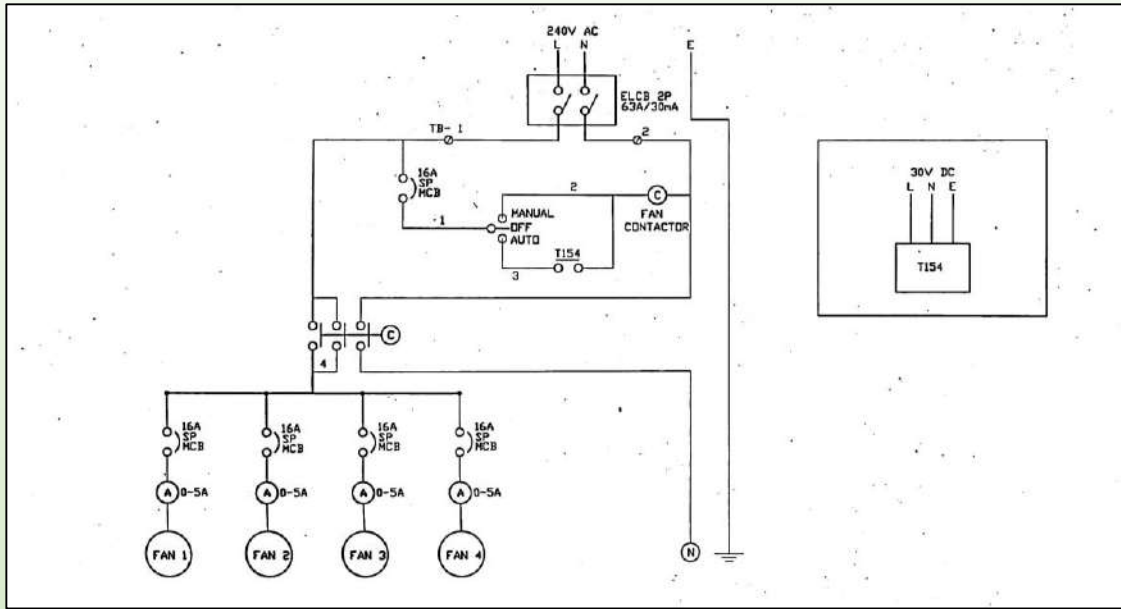
SERIAL NO. YEAR

UNELECTRA INTERNATIONAL CORPORATION, TAIWAN

NN4514386 B451-4386



CAST RESIN 11 KV DRY TYPE TRANSFORMERS (TEE)



RM 120,000.00 PER UNIT

* USED UNIT - IN GOOD CONDITION



ABB

3 - Phase - Transformer

Type	RESIBLOC	Serial-No.	14200 1624 / 1	IEC 726
Rated power	kVA 2500 / 3500	Year of manuf.	2001	
Rated voltage	V 11 000 / 415	Frequency	Hz 50	
Rated current	A 131 / 184 / 3478/4869	Vector group	Dyn 11	
Symmetr. short-circ. curr.	KA	Type of cooling	AN / AF	
Insulation class	HV/LV F / F	Protection class	IP 00	
Winding material	HV/LV Cu / Al	Total weight	5.15	
Insulation level	L175 AC28 / AC3	Max. syst. volt. kV	12 / 1.1	
Duration of short-circ. max. s	2	Impedance	% 5.9 / 8.2	
		Class	E2 / F2 / F1	

High voltage

Low voltage

High voltage		
Volt	connect fans	Terminals
11 550	1 - 3 ; 2 - 8	1U 1V 1W
11 275	1 - 4 ; 2 - 8	
11 000	1 - 4 ; 2 - 7	
10 725	1 - 5 ; 2 - 7	
10 450	1 - 5 ; 2 - 6	

XAL 140 105 - 203 E
Made by: ABB Transformatoren GmbH, Brilon, Germany



STEP DOWN TRANSFORMERS (NO BRAND)

NO	QTY	RATED POWER	PRI VOLTS	SEC VOLTS	TOTAL WEIGHT	Price / Unit
NO. 1	2	3.5 KVA	415 V	200 V	51.5 KG	RM 772.50
NO. 2	2	4.2 KVA	415 V	200 V	61.0 KG	RM 915.00
NO. 3	1	8.7 KVA	415 V	200 V	95.0 KG	RM 1,425.00
NO. 4	1	10 KVA	230 V	100 V	100.0 KG	RM 1,500.00
NO. 5	3	52 KVA	415 V	200 V	313.5 KG	RM 4,702.50
NO. 6	2	70 KVA	415 V	200 V	421.0 KG	RM 6,315.00
NO. 7	1	27.7 KVA	415 V	200 V	206.0 KG	RM 3,090.00
NO. 8	1	104 KVA	415 V	200 V	534.0 KG	RM 8,010.00
NO. 9	1	142 KVA	415 V	200 V	643.0 KG	RM 9,645.00
NO. 10	1	87 KVA	415 V	200 V	485.5 KG	RM 7,282.50
NO. 11	1	69 KVA	415 V	200 V	420.5 KG	RM 6,307.50

* USED UNIT - IN GOOD CONDITION
 * STEP DOWN TRANSFORMER : RM15.00/KG





QPS POWER LINE CONDITIONER

RATED POWER	20 KVA
PRI VOLTS	360 – 460 V
SEC VOLTS	380 V
YEAR	2007
TOTAL WEIGHT	249 KG
PRICE	RM3,735.00

* USED UNIT - IN GOOD CONDITION

* STEP DOWN TRANSFORMER : RM15.00/KG

QPS TRANSFORMER – CLASS: H

RATED POWER	10 KVA
PRI VOLTS	405/415/425 V
SEC VOLTS	200 V
TOTAL WEIGHT	108.5 KG
PRICE	RM1,627.50

* USED UNIT - IN GOOD CONDITION

* STEP DOWN TRANSFORMER : RM15.00/KG



LAMOOL TRANSFORMER

RATED POWER	22 KVA
PRI VOLTS	380 – 400 V
SEC VOLTS	400 – 420 V
YEAR	2018
TOTAL WEIGHT	173 KG
PRICE	RM2,595.00

* USED UNIT - IN GOOD CONDITION

* STEP DOWN TRANSFORMER : RM15.00/KG



STEP DOWN TRANSFORMERS

MODEL	BGS (D) – 30	BGS (D) – 90	SG – 250
RATED POWER	30 KVA	90 KVA	250 KVA
PRI VOLTS	415 V	415 V	415 V
SEC VOLTS	380 V	380 V	380 V
YEAR	2013	2018	2009
TOTAL WEIGHT	189.5 KG	390.0 KG	988.5 KG
PRICE	RM2,842.50	RM5,850.00	RM14,827.50

* USED UNIT - IN GOOD CONDITION

* STEP DOWN TRANSFORMER : RM15.00/KG



BGS (D) – 30



BGS (D) – 90



SG – 250

ZENITH TRANSFORMER	
RATED POWER	25 KVA
PRI VOLTS	415 V
SEC VOLTS	208 V
TOTAL WEIGHT	234 KG
PRICE	RM3,510.00

* USED UNIT - IN GOOD CONDITION

* STEP DOWN TRANSFORMER : RM15.00/KG





SQUARE D TRANSFORMER	
RATED POWER	112.5 KVA
HV VOLTS	480Y / 277 V
LV VOLTS	415 V
QUANTITY	2 NOS
STATUS	USED UNIT - IN GOOD CONDITION

i) **497.5 KG – RM7,462.50**

ii) **493.5 KG – RM7,402.50**

* STEP DOWN TRANSFORMER : RM15.00/KG

ZENITH TRANSFORMER			
RATED POWER	120 KVA	180 KVA	180 KVA
PRI VOLTS	405/415/425 V	415 V	415 V
SEC VOLTS	210 V	200 V	200 V
TOTAL WEIGHT	710 KG	757 KG	750 KG
PRICE	RM10,650.00	RM11,355.00	RM11,250.00

* USED UNIT - IN GOOD CONDITION

* STEP DOWN TRANSFORMER : RM15.00/KG





SWITCH BOARD

SWITCH BOARD LIST

CATEGORY: MAIN SWITCH BOARD (MSB)

NO	DISCRIPTION	QTY	RATED VOLTAGE (VOLT)	RATED CURRENT (AMP)	WEIGHT (KG)	SELLING PRICE/ UNIT	REMARKS
1	MSB_14 (PI-P3) C/W CAPBANK	1	415V	1600A	1792.0	RM44,800.00	
2	MSB_47 (PI-P4) C/W CAPBANK	1	415V	2000A	2161.5	RM54,037.50	
3	MSB_48 (PI-P7) C/W CAPBANK	1	415V	2000A	3350.0	RM83,750.00	C/W GENSET CHANGEOVER SYSTEM
4	MSB_AUSTIN C/W CAPBANK	1	415V	3000A	2536.5	RM63,412.50	
5	MSB_H.VILLA NO.1	1	415V	1000A	699.0	RM17,475.00	C/W AUTOMATIC TRANSFER SWITCH
6	MSB_SARAWAK	1	480V	2000A	1317.0	RM32,925.00	
7	MSB_SIVA C/W CAPBANK	1	415V	5000A	2969.0	RM74,225.00	
8	MSB_XEPA 2 NO.47	1	415V	3200A	953.5	RM23,837.50	
9	MSB_XEPA 2 NO.48 C/W CAPBANK	1	415V	3200A	2363.5	RM59,087.50	
10	MSB_PRAI NO.1	1	415V	5000A	1455.0	RM21,825.00	BREAKER PANEL
11	MSB_PRAI NO.2	1	415V	5000A	1399.0	RM20,985.00	BREAKER PANEL
12	MSB_PRAI NO.3	1	415V	3000A	1203.0	RM30,075.00	
13	MSB_FUJIKURA NO.2 C/W CAPBANK	1	415V	4000A	3438.0	RM85,950.00	
14	MSB_FUJIKURA NO.3	1	200V	1600A	451.5	RM11,287.50	
15	MSB_KLY 1 NO.1	1	415V	1000A	566.0	RM14,150.00	CAPBANK PANEL
16	MSB_ETS NO.2	1	415V	1000A	762.5	RM19,062.50	
17	MSB_NEW SI EMSB C/W CAPBANK & EMSB	1	415V	800A	2306.5	RM57,662.50	C/W GENSET CHANGEOVER SYSTEM
18	MSB_TANZER C/W CAPBANK	1	415V	250A	315.0	RM7,875.00	
19	MSB_MERDEKA 118 NO.2 C/W CAPBANK	1	415V	2000A	1130.0	RM28,250.00	

*Used unit – In good condition

CATEGORY: SUB SWITCH BOARD (SSB)

NO	DISCRIPTION	QTY	RATED VOLTAGE (VOLT)	RATED CURRENT (AMP)	WEIGHT (KG)	SELLING PRICE/ UNIT	REMARKS
1	SSB-UT-35	1	415V	630A	644.0	RM16,100.00	
2	SSB_GF ELECTRICAL ROOM - 1 PHOTOVOLTAIC	1	415V	400A	321.0	RM8,025.00	
3	SSB_PDB/UV – PUMP	1	415V	75A	363.0	RM9,075.00	
4	SSB_PDB/UV - PUMP 1	1	415V	60A	339.0	RM8,475.00	
5	SSB_COMPRESSOR 3	1	415V	700A	352.5	RM8,812.50	
6	SSB_COMPRESSOR 6	1	415V	700A	354.5	RM8,862.50	
7	SSB_COMPRESSOR 7	1	415V	700A	365.0	RM9,125.00	
8	SSB_S3-DB-UPS-L1-2/3 (C1-C4)	1	415V	1250A	1290.0	RM32,250.00	

*Used unit – In good condition

SWITCH BOARD LIST

CATEGORY: SUB SWITCH BOARD (SSB)

NO	DISCRIPTION	QTY	RATED VOLTAGE (VOLT)	RATED CURRENT (AMP)	WEIGHT (KG)	SELLING PRICE/ UNIT	REMARKS
9	SSB_S3-DB-UPS-L1-2/4 (C1-C3)	1	415V	250A	426.0	RM10,650.00	
10	SSB_S1-DB-UPS-L3-4/1 (C1-C3)	1	415V	400A	445.0	RM11,125.00	
11	SSB_S2-DB-UPS-L3-4/2 (C1-C3)	1	415V	600A	534.5	RM13,362.50	
12	SSB_S3-DB-UPS-L5-6/4 (C1-C3)	1	415V	250A	418.0	RM10,450.00	
13	SSB_S3-DB-UPS-L5-6/5 (C1-C3)	1	415V	400A	444.5	RM11,112.50	
14	SSB_S1-DB-SUPS-L1-2/2 (C1-C3)	1	415V	600A	749.5	RM18,737.50	
15	SSB_S1-DB-SUPS-L5-6/1 (C1-C3)	1	415V	400A	489.0	RM12,225.00	
16	SSB_S1-DB-SUPS-L5-6/3 (C1-C3)	1	415V	400A	447.0	RM11,175.00	
17	SSB_S2-DB-SUPS-L5-6/4 (C1-C6)	1	415V	1000A	1358.0	RM33,950.00	
18	SSB_S3-DB-SUPS-L1-2/6 (C1-C3)	1	415V	400A	466.5	RM11,662.50	
19	SSB_S3-SSB-SUPS-L1-6/8B(C1-C5)	1	415V	1250A	1030.5	RM25,762.50	
20	SSB_KATO NO. 57	1	415V	600A	270.0	RM6,750.00	
21	SSB_KATO NO. 58	1	415V	630A	405.0	RM10,125.00	
22	SSB_KATO NO. 52	1	415V	630A	188.0	RM4,700.00	
23	SSB_KATO NO. 53	1	415V	400A	277.0	RM6,925.00	
24	SSB_KATO NO. 46	1	415V	160A	42.0	RM1,050.00	
25	SSB_SA NO. 2	1	415V	80A	17.5	RM437.50	
26	SSB_TEE NO. 1 (SSB T-11)	1	415V	100A	34.0	RM850.00	
27	SSB_TEE NO. 2	1	415V	100A	35.5	RM887.50	
28	SSB_K2	1	415V	300A	69.0	RM1,725.00	
29	SSB_NEW DB 1	1	415V	500A	393.5	RM9,837.50	
30	SSB_NEW DB 2	1	415V	500A	398.5	RM9,962.50	
31	SSB_D	1	415V	300A	232.5	RM5,812.50	
32	SSB_E	1	415V	300A	247.5	RM6,187.50	
33	SSB_SS	1	415V	250A	248.0	RM6,200.00	
34	SSB_B9 NO.7	1	415V	400A	266.0	RM6,650.00	
35	SSB_BARRY NO.3	1	415V	250A	69.0	RM1,725.00	
36	SSB_BARRY NO.42	1	415V	400A	21.0	RM420.00	BREAKER PANEL
37	SSB_BARRY NO.44	1	415V	300A	20.0	RM400.00	BREAKER PANEL
38	SSB_BARRY NO.47	1	415V	300A	27.0	RM540.00	BREAKER PANEL
39	SSB_BARRY NO.49	1	415V	400A	21.0	RM420.00	BREAKER PANEL

SWITCH BOARD LIST

CATEGORY: SUB SWITCH BOARD (SSB)

NO	DISCRIPTION	QTY	RATED VOLTAGE (VOLT)	RATED CURRENT (AMP)	WEIGHT (KG)	SELLING PRICE/ UNIT	REMARKS
40	SSB_PNE NO.8	1	415V	400A	233.5	RM5,837.50	
41	SSB_PNE NO.20	1	415V	400A	239.0	RM5,975.00	
42	SSB_PNE NO.21	1	415V	400A	25.0	RM625.00	
43	SSB_PNE NO.22	1	415V	225A	58.0	RM1,450.00	
44	SSB_XEPA NO.1	1	415V	300A	91.0	RM2,275.00	
45	SSB_XEPA NO.29	1	415V	200A	72.5	RM1,812.50	
46	SSB_XEPA NO.30	1	415V	400A	170.0	RM4,250.00	
47	SSB_XEPA NO.31	1	415V	200A	87.5	RM2,187.50	
48	SSB_XEPA NO.38	1	415V	250A	107.0	RM2,675.00	
49	SSB_XEPA NO.40	1	415V	300A	145.0	RM3,625.00	
50	SSB_XEPA NO.56	1	415V	200A	158.0	RM3,950.00	
51	SSB_SEPADU NO.3	1	415V	60A	23.0	RM575.00	
52	SSB_SEPADU NO.4	1	415V	100A	44.0	RM1,100.00	
53	SSB_SEPADU NO.5	1	415V	100A	49.0	RM1,225.00	
54	SSB_SEPADU NO.6	1	415V	100A	50.0	RM1,250.00	
55	SSB_FUJIKURA NO.7	1	415V	600A	129.0	RM3,225.00	
56	SSB_FUJIKURA NO.9	1	415V	200A	37.0	RM925.00	
57	SSB_FUJIKURA 2 NO.4	1	415V	125A	226.0	RM5,650.00	
58	SSB_KLY 2 NO.2	1	415V	250A	119.5	RM2,987.50	
59	SSB_BK NO.49	1	415V	180A	97.6	RM2,440.00	c/w stand
60	SSB_TEAC	1	415V	60A	36.0	RM900.00	
61	SSB_STAR	1	415V	250A	44.15	RM1,103.75	
62	SSB_SKY 2	1	415V	600A	119.0	RM2,975.00	
63	SSB_B7	1	415V	300A	178.0	RM4,450.00	c/w stand
64	SSB_UPS PANEL	2	415V	500A	174.0	RM4,350.00	
65	SSB_PS1- 1 & PS1-2	1	415V	200A	315.0	RM7,875.00	
66	SSB_PM1-1 & PM1-2	1	415V	150A	255.0	RM6,375.00	
67	SSB_EXPERT NO.3	1	415V	400A	298.5	RM7,462.50	
68	SSB_MERDEKA 118 NO.1	1	415V	800A	470.0	RM11,750.00	
69	SSB_PLAZA NO.17	1	415V	400A	128.0	RM3,200.00	
70	SSB_PLAZA NO.19	1	415V	60A	42.5	RM1,062.50	

*Used unit – In good condition

SWITCH BOARD LIST

CATEGORY: STARTER CONTROL PANEL

NO	DISCRPTION	QTY	RATED VOLTAGE (VOLT)	RATED CURRENT (AMP)	WEIGHT (KG)	SELLING PRICE/ UNIT	REMARKS
1	STARTER PANEL_CP-SF-2 (TEMP)	1	415V	30A	13.5	RM270.00	
2	STARTER PANEL_CP-SF-3 (TEMP)	1	415V	30A	13.5	RM270.00	
3	STARTER PANEL_CP-EF-3 (TEMP)	1	415V	30A	13.5	RM270.00	
4	STARTER PANEL_CP-EF-2 (TEMP)	1	415V	30A	14.0	RM280.00	
5	STARTER PANEL_KATO NO.48	1	415V	32A	13.0	RM260.00	
6	STARTER PANEL_KATO NO.21	1	415V	40A	18.0	RM360.00	
7	STARTER PANEL_KATO NO.12	1	415V	32A	10.0	RM200.00	
8	STARTER PANEL_KATO NO.4	1	415V	40A	13.0	RM260.00	
9	STARTER PANEL_PEF-4 1.5KW DOL	1	415V	40A	14.0	RM280.00	
10	STARTER PANEL_PEF 2-1 0.75KW DOL	1	415V	40A	14.0	RM280.00	
11	STARTER PANEL_DOL	1	-	-	9.5	RM95.00	EMPTY PANEL
12	STARTER PANEL_DOL	2	-	-	7.5	RM75.00	EMPTY PANEL
13	STARTER PANEL_BARRY NO.9	1	-	-	17.5	RM350.00	
14	STARTER PANEL_BARRY NO.17	1	-	-	16.0	RM320.00	
15	STARTER PANEL_BARRY NO.26	1	-	-	6.5	RM130.00	
16	STARTER PANEL_BARRY NO.30	1	-	-	8.0	RM160.00	
17	STARTER PANEL_BARRY NO.37	1	-	-	10.65	RM213.00	
18	STARTER PANEL_BARRY NO.38	1	-	-	9.1	RM182.00	PRESSURE CONTROL PANEL
19	STARTER PANEL_BARRY NO.45	1	-	-	7.0	RM140.00	
20	STARTER PANEL_BARRY NO.52	1	-	-	10.0	RM200.00	
21	STARTER PANEL_PNE NO.18	1	415V	32A	28.0	RM560.00	
22	STARTER PANEL_PNE NO.37	1	415V	20A	9.0	RM180.00	c/w ISOLATOR SWITCH
23	STARTER PANEL_PNE NO.40	1	-	-	23.0	RM460.00	
24	STARTER PANEL_PNE NO.41	1	-	-	10.0	RM200.00	
25	STARTER PANEL_PNE NO.48	1	415V	25A	28.0	RM560.00	
26	STARTER PANEL_PNE NO.49	1	415V	25A	29.5	RM590.00	
27	STARTER PANEL_XEPA_NO.3	1	415V	20A	7.3	RM146.00	
28	STARTER PANEL_XEPA_NO.4	1	415V	20A	9.0	RM180.00	
29	STARTER PANEL_XEPA_NO.5	1	415V	40A	8.0	RM160.00	
30	STARTER PANEL_XEPA_NO.8	1	230V	6A	4.0	RM80.00	
31	STARTER PANEL_XEPA_NO.9	1	230V	6A	4.0	RM80.00	
32	STARTER PANEL_XEPA_NO.10	1	-	-	4.0	RM80.00	
33	STARTER PANEL_XEPA_NO.11	1	230V	6A	3.0	RM60.00	

SWITCH BOARD LIST

CATEGORY: STARTER CONTROL PANEL

NO	DISCRIPTION	QTY	RATED VOLTAGE (VOLT)	RATED CURRENT (AMP)	WEIGHT (KG)	SELLING PRICE/ UNIT	REMARKS
34	STARTER PANEL_XEPA_NO.12	1	230V	6A	3.0	RM60.00	
35	STARTER PANEL_XEPA_NO.20	1	415V	60A	67.0	RM1,340.00	C/W STAND
36	STARTER PANEL_XEPA_NO.21	1	415V	60A	71.5	RM1,430.00	C/W STAND
37	STARTER PANEL_XEPA_NO.22	1	415V	60A	67.0	RM1,340.00	C/W STAND
38	STARTER PANEL_XEPA_NO.23	1	415V	60A	76.5	RM1,530.00	C/W STAND
33	STARTER PANEL_XEPA_NO.32/26	1	415V	40A	50.0	RM1,000.00	C/W STAND
34	STARTER PANEL_XEPA_NO.33/27	1	415V	40A	50.0	RM1,000.00	C/W STAND
35	STARTER PANEL_XEPA_NO.57	1	415V	75A	21.5	RM430.00	
36	STARTER PANEL_TIMBER NO.4	1	-	-	77.5	RM1,550.00	
37	STARTER PANEL_KLY 2 NO.3	1	415V	20A	10.4	RM208.00	
38	STARTER PANEL_WD	1	415V	100A	58.0	RM1,160.00	
39	STARTER PANEL_DG	1	415V	63A	13.4	RM268.00	
40	STARTER PANEL_MLK BARU	1	415V	32A	13.0	RM260.00	
41	STARTER PANEL_TEAC	1	240V	6A	7.5	RM150.00	
42	STARTER PANEL_KATO	1	240V	6A	9.0	RM179.00	
43	STARTER PANEL_PLAZA NO.15	1	415V	20A	10.0	RM200.00	

*Used unit – In good condition

CATEGORY: MOTOR CONTROL CENTERS (MCC)

NO	DISCRIPTION	QTY	RATED VOLTAGE (VOLT)	RATED CURRENT (AMP)	WEIGHT (KG)	SELLING PRICE/ UNIT	REMARKS
1	MCC_CONTROL SORTING ROOM 1	1	415V	40A	32.0	RM640.00	
2	MCC_PANEL 1	1	240V	16A	11.0	RM220.00	
3	MCC_PANEL 2	3	240V	30A	8.5	RM170.00	
4	MCC_PANEL 3	2	415V	30A	12.5	RM250.00	
5	MCC_PANEL 4	1	415V	30A	13.0	RM260.00	
6	MCC_PANEL 5	1	415V	30A	14.0	RM280.00	
7	MCC_PANEL 6	1	415V	30A	15.0	RM300.00	
8	MCC_PANEL 7	1	415V	40A	15.0	RM300.00	
9	MCC_PANEL 8	1	415V	40A	19.0	RM380.00	
10	MCC_PANEL 9	1	415V	40A	20.5	RM410.00	
11	MCC_PANEL 10	1	240V	25A	26.0	RM520.00	
12	MCC_CP-AC-L-2	1	240V	10A	82.0	RM1,640.00	PANEL TEMPERATURE ROOM

*Used unit – In good condition

SWITCH BOARD LIST

CATEGORY: MOTOR CONTROL CENTERS (MCC)

NO	DISCRIPTION	QTY	RATED VOLTAGE (VOLT)	RATED CURRENT (AMP)	WEIGHT (KG)	SELLING PRICE/ UNIT	REMARKS
13	MCC_AC 0-16	1	415V	15A	73.5	RM1,470.00	
14	MCC_AC-GH-1A	1	415V	20A	93.5	RM1,870.00	
15	MCC_SA NO.5	1	415V	100A	71.9	RM1,438.00	
16	MCC_KATO NO.47	1	415V	60A	31.0	RM620.00	
17	MCC_KATO NO.45	1	415V	50A	61.0	RM1,220.00	
18	MCC_KATO NO.44	1	415V	75A	89.0	RM1,780.00	
19	MCC_KATO NO.43	1	415V	75A	88.0	RM1,760.00	
20	MCC_KATO NO.42	1	415V	60A	63.0	RM1,260.00	
21	MCC_KATO NO.41	1	415V	100A	68.0	RM1,360.00	
22	MCC_KATO NO.25	1	415V	40A	32.0	RM640.00	
23	MCC_KATO NO.24	1	415V	40A	27.0	RM540.00	
24	MCC_KATO NO.20	1	415V	40A	26.0	RM520.00	
25	MCC_KATO NO.9	1	415V	30A	73.0	RM1,460.00	AHU PANEL
26	MCC_WD NO.9	1	415V	40A	15.0	RM300.00	
27	MCC_B9 NO.56	1	415V	32A	27.0	RM540.00	
28	MCC_B.B	1	415V	80A	30.5	RM610.00	
29	MCC_ATA CP-AC	1	415V	50A	36.0	RM720.00	
30	MCC_BARRY NO.1	1	415V	32A	15.0	RM300.00	CHARGING ROOM PANEL
31	MCC_BARRY NO.2	1	415V	32A	15.5	RM310.00	CHARGING ROOM PANEL
32	MCC_H.VILLA NO.2 (AMS-415)	1	415V	800A	221.0	RM4,420.00	GENSET PANEL
33	MCC_CP-KEF & KSF S47-01	1	415V	40A	33.0	RM660.00	

*Used unit – In good condition

CATEGORY: DISTRIBUTION BOARD (DB)

NO	DISCRIPTION	QTY	RATED VOLTAGE (VOLT)	RATED CURRENT (AMP)	WEIGHT (KG)	SELLING PRICE/ UNIT	REMARKS
1	DB_200A TPN MCCB BOX	1	415V	200A	29.0	RM580.00	
2	DB_125A TPN MCCB BOX	1	240V	125A	31.5	RM630.00	
3	DB_125A TPN MCCB BOX	1	415V	125A	30.0	RM600.00	
4	DB_DOCK LEVELLER 2	1	415V	30A	45.0	RM900.00	
5	DB_ESSENTIAL 1	1	415V	60A	55.0	RM1,100.00	
6	MCC_PANEL 5	1	415V	30A	14.0	RM280.00	
7	DB_ESSENTIAL 4	1	415V	100A	78.5	RM1,570.00	

SWITCH BOARD LIST

CATEGORY: DISTRIBUTION BOARD (DB)

NO	DISCRIPTION	QTY	RATED VOLTAGE (VOLT)	RATED CURRENT (AMP)	WEIGHT (KG)	SELLING PRICE / UNIT	REMARKS
8	DB_WWTP/LP	1	415V	30A	62.5	RM1,250.00	
9	DB_A	1	415V	150A	35.0	RM700.00	
10	DB_A5 L/P	1	415V	30A	91.5	RM1,830.00	
11	DB_B1/LP	1	415V	60A	91.0	RM1,820.00	
12	DB_B4/LP	1	415V	60A	95.0	RM1,900.00	
13	DB_B7/LP	1	415V	40A	93.0	RM1,860.00	
14	DB_B10/LP	1	415V	30A	94.0	RM1,880.00	
15	DB_B10A/P	1	415V	150A	37.0	RM740.00	
16	DB_B11/LP	1	415V	100A	89.0	RM1,780.00	
17	DB_C9/LP	1	415V	60A	106.0	RM2,120.00	
18	DB_C11 LP	1	415V	30A	60.5	RM1,210.00	
19	DB_D5 LP	1	415V	60A	124.0	RM2,480.00	
20	DB_D7/LP	1	415V	30A	94.0	RM1,880.00	
21	DB_COR3/LP	1	415V	30A	89.0	RM1,780.00	
22	DB_UPS-2 (SERVER)	1	415V	100A	107.0	RM2,140.00	
23	DB_K	1	415V	150A	52.0	RM1,040.00	
24	DB_GAS FARM	1	415V	150A	45.5	RM910.00	
25	DB_TEL	1	240V	30A	23.5	RM470.00	
26	DB_GH1	1	415V	60A	40.0	RM800.00	
27	DB_GH3	1	240V	30A	29.5	RM590.00	
28	DB_SS	1	415V	60A	62.0	RM1,240.00	
29	DB_SPR/LP	1	240V	30A	16.0	RM320.00	
30	DB_DC JUNCTION BOX SET 8 & SET 9	1	800V	16A	15.5	RM310.00	DC PANEL
31	DB_100A	1	240/415V	100A	57.1	RM1,142.00	
32	DB_JS1	1	415V	100A	31.3	RM626.00	
33	DB_JS2	1	415V	100A	30.85	RM617.00	
34	DB_JS3	1	415V	100A	30.9	RM618.00	
35	DB_JS9	1	415V	100A	32.0	RM640.00	
36	DB_WD NO.35	1	415V	200A	49.0	RM980.00	
37	DB_WD NO.32	1	415V	250A	54.0	RM1,080.00	
38	DB_WD NO.26	1	415V	40A	17.0	RM340.00	
39	DB_WD NO.24	1	415V	400A	23.0	RM460.00	BREAKER PANEL
40	DB_WD NO.23	1	415V	250A	121.0	RM2,420.00	

*Used unit – In good condition

SWITCH BOARD LIST

CATEGORY: DISTRIBUTION BOARD (DB)

NO	DISCRPTION	QTY	RATED VOLTAGE (VOLT)	RATED CURRENT (AMP)	WEIGHT (KG)	SELLING PRICE/ UNIT	REMARKS
41	DB_WD NO.29	1	415V	40A	17.0	RM340.00	
42	DB_WD NO.13	1	415V	63A	13.0	RM260.00	
43	DB_WD NO.12	1	415V	32A	9.0	RM180.00	
44	DB_WD NO.8	1	415V	100A	16.0	RM320.00	
45	DB_WD NO.7	1	415V	32A	11.0	RM220.00	
46	DB_WD NO.6	1	415V	100A	8.0	RM160.00	
47	DB_WD NO.5	1	415V	63A	9.0	RM180.00	
48	DB_WD NO.3	1	415V	40A	5.0	RM100.00	
49	DB_WD NO.2	1	240V	40A	9.0	RM180.00	BREAKER PANEL
50	DB_WD NO.1	1	415V	63A	9.0	RM180.00	
51	DB_200A T.O.U	1	415V	200A	37.0	RM740.00	
52	DB_SA NO.6	1	415V	20A	7.5	RM150.00	
53	DB_SA NO.8	1	240V	32A	9.5	RM190.00	
54	DB_TW NO. 1	1	415V	63A	9.25	RM185.00	
55	DB_TW NO. 2	1	415V	30A	8.3	RM166.00	
56	DB_KATO NO.40	1	415V	30A	42.0	RM840.00	
57	DB_KATO NO.39	1	415V	40A	27.0	RM540.00	
58	DB_KATO NO.38	1	415V	200A	19.0	RM380.00	
59	DB_KATO NO.37	1	415V	40A	18.0	RM360.00	
60	DB_KATO NO.36	1	240V	20A	23.0	RM460.00	
61	DB_KATO NO.32	1	415V	320A	63.0	RM1,260.00	
62	DB_KATO NO.30	1	415V	40A	17.0	RM340.00	
63	DB_KATO NO.27	1	415V	32A	21.0	RM420.00	
64	DB_KATO NO.26	1	415V	32A	19.0	RM380.00	
65	DB_KATO NO.23	1	415V	32A	19.0	RM380.00	
66	DB_KATO NO.22	1	415V	40A	14.0	RM280.00	
67	DB_KATO NO.17	1	415V	30A	10.0	RM200.00	
68	DB_KATO NO.18	1	415V	20A	6.0	RM120.00	BREAKER PANEL
69	DB_KATO NO.16	1	415V	30A	6.0	RM120.00	BREAKER PANEL
70	DB_KATO NO.15	1	415V	32A	6.0	RM120.00	
71	DB_KATO NO.13	1	415V	100A	11.0	RM220.00	
72	DB_KATO NO.11	1	415V	63A	6.0	RM120.00	
73	DB_KATO NO.10	1	415V	20A	6.0	RM120.00	

SWITCH BOARD LIST

CATEGORY: DISTRIBUTION BOARD (DB)

NO	DISCRIPTION	QTY	RATED VOLTAGE (VOLT)	RATED CURRENT (AMP)	WEIGHT (KG)	SELLING PRICE / UNIT	REMARKS
74	DB_KATO NO.9	1	415V	30A	10.0	RM200.00	
75	DB_KATO NO.8	1	415V	40A	7.0	RM140.00	
76	DB_KATO NO.5	1	415V	16A	6.0	RM120.00	
77	DB_KATO NO.3	1	415V	63A	5.0	RM100.00	
78	DB_INFINEON NO.4	1	415V	100A	119.0	RM2,380.00	
79	DB_INFINEON NO.5	1	415V	100A	61.0	RM1,220.00	
80	DB_JB TEBRAU	1	415V	100A	17.25	RM345.00	
81	DB_SUNPOWER	1	415V	60A	42.75	RM855.00	
82	DB_B9 NO.1	1	415V	40A	13.0	RM260.00	
83	DB_MEMGUARD NO.1	3	415V	32A	8.8	RM176.00	
84	DB_MEMGUARD NO.2	1	240V	63A	4.5	RM90.00	
85	DB_MEMGUARD NO.3	1	240V	32A	4.25	RM85.00	
86	DB_LSE NO.1	1	240V	30A	9.0	RM180.00	
87	DB_LSE NO.2	1	240V	30A	8.0	RM160.00	
88	DB_LSE NO.3	1	240V	20A	8.5	RM170.00	
89	DB_PANEL 16	1	415V	20A	3.5	RM70.00	
90	DB_UPS 1	1	415V	100A	133.5	RM2,670.00	
91	DB_UPS 2	1	415V	100A	131.1	RM2,622.00	
92	DB_UPS 3	1	415V	100A	132.5	RM2,650.00	
93	DB_UPS 4	1	415V	100A	134.0	RM2,680.00	
94	DB_UPS 5	1	415V	60A	77.5	RM1,550.00	
95	DB_STANDARD CHARTERED	1	415V	60A	77.5	RM1,550.00	
96	DB_CC/UPS 5	1	415V	60A	90.5	RM1,810.00	
97	DB_TANZER	47	415V	60A	35.0	RM700.00	
98	DB_US	1	415V	30A	26.0	RM520.00	
99	DB_CRUSHING MACHINE CONTROL PANEL	1	415V	40A	10.0	RM200.00	
100	DB_SANJEV	1	-	-	11.5	RM115.00	EMPTY PANEL
101	DB_H.VILLA NO.5	1	415V	200A	39.0	RM780.00	
102	DB_H.VILLA NO.7	1	-	-	15.5	RM155.00	EMPTY PANEL
103	DB_H.VILLA NO.8	1	-	-	10.0	RM100.00	EMPTY PANEL
104	DB_H.VILLA NO.9	1	-	-	11.0	RM110.00	EMPTY PANEL
105	DB_H.VILLA NO.10	1	415V	60A	11.5	RM230.00	

*Used unit – In good condition

SWITCH BOARD LIST

CATEGORY: DISTRIBUTION BOARD (DB)

NO	DISCRPTION	QTY	RATED VOLTAGE (VOLT)	RATED CURRENT (AMP)	WEIGHT (KG)	SELLING PRICE / UNIT	REMARKS
106	DB_H.VILLA NO.12	1	415V	60A	6.0	RM60.00	EMPTY PANEL
107	DB_H.VILLA NO.13	1	415V	32A	17.0	RM340.00	
108	DB_H.VILLA NO.14	1	415V	100A	8.0	RM160.00	
109	DB_H.VILLA NO.15	1	415V	60A	18.5	RM370.00	
110	DB_H.VILLA NO.17	1	415V	50A	17.0	RM340.00	
111	DB_H.VILLA NO.18	1	-	-	8.0	RM80.00	EMPTY PANEL
112	DB_H.VILLA NO.21	1	415V	32A	30.5	RM610.00	
113	DB_H.VILLA NO.22	1	415V	160A	61.0	RM1,220.00	
114	DB_BARRY NO.8	1	415V	100A	9.0	RM180.00	
115	DB_BARRY NO.11	1	415V	30A	24.0	RM480.00	
116	DB_BARRY NO.12	1	415V	60A	120.0	RM1,200.00	C/W EMPTY BATTERY PANEL
117	DB_BARRY NO.25	1	415V	100A	20.0	RM400.00	
118	DB_BARRY NO.31	1	415V	150A	10.5	RM210.00	
119	DB_BARRY NO.32	1	415V	60A	22.5	RM450.00	
120	DB_BARRY NO.34	1	415V	400A	163.0	RM3,260.00	
121	DB_BARRY NO.38	1	-	-	12.5	RM125.00	EMPTY PANEL
122	DB_BARRY NO.39	1	-	-	20.5	RM205.00	EMPTY PANEL
123	DB_BARRY NO.41	1	-	-	12.15	RM121.50	EMPTY PANEL
124	DB_BARRY NO.43	1	415V	125A	9.5	RM190.00	
125	DB_BARRY NO.51	1	415V	20A	6.0	RM120.00	
126	DB_BARRY NO.53	1	-	-	9.25	RM185.00	KWH METER PANEL
127	DB_PNE NO.3	1	415V	60A	14.5	RM290.00	
128	DB_PNE NO.4	1	415V	100A	15.5	RM310.00	
129	DB_PNE NO.5	1	415V	63A	24.0	RM480.00	
130	DB_PNE NO.6	1	415V	63A	14.5	RM290.00	
131	DB_PNE NO.10	1	415V	225A	68.5	RM1,370.00	
132	DB_PNE NO.14	1	415V	150A	8.5	RM170.00	
133	DB_PNE NO.15	1	415V	100A	6.5	RM130.00	BREAKER PANEL
134	DB_PNE NO.23	1	415V	100A	5.5	RM110.00	BREAKER PANEL
135	DB_PNE NO.24	3	415V	100A	6.0	RM120.00	BREAKER PANEL
136	DB_PNE NO.25	1	415V	100A	8.0	RM160.00	BREAKER PANEL
137	DB_PNE NO.26	1	415V	100A	7.0	RM140.00	BREAKER PANEL

SWITCH BOARD LIST

CATEGORY: DISTRIBUTION BOARD (DB)

NO	DISCRIPTION	QTY	RATED VOLTAGE (VOLT)	RATED CURRENT (AMP)	WEIGHT (KG)	SELLING PRICE/ UNIT	REMARKS
138	DB_PNE NO.27	1	415V	100A	7.0	RM140.00	BREAKER PANEL
139	DB_PNE NO.28	1	415V	100A	8.5	RM170.00	BREAKER PANEL
140	DB_PNE NO.29	1	415V	100A	8.5	RM170.00	BREAKER PANEL
141	DB_PNE NO.31	1	-	-	5.0	RM100.00	TIMER PANEL
142	DB_PNE NO.38	1	415V	60A	8.0	RM160.00	BREAKER PANEL
143	DB_PNE NO.39	1	415V	100A	16.0	RM320.00	
144	DB_PNE NO.43	1	415V	100A	13.5	RM270.00	
145	DB_PNE NO.44	1	415V	100A	7.0	RM140.00	BREAKER PANEL
146	DB_PNE NO.45	1	415V	100A	8.0	RM160.00	BREAKER PANEL
147	DB_PNE NO.46	1	415V	63A	11.5	RM230.00	
148	DB_XEPA NO.2	1	415V	100A	48.0	RM960.00	
149	DB_XEPA NO.6	1	415V	32A	9.0	RM180.00	
150	DB_XEPA NO.7	1	415V	100A	3.0	RM60.00	ELCB PANEL
151	DB_XEPA NO.14	1	415V	63A	12.0	RM240.00	
152	DB_XEPA NO.15	1	415V	30A	17.5	RM350.00	
153	DB_XEPA NO.16	1	415V	100A	6.0	RM120.00	BREAKER PANEL
154	DB_XEPA NO.17	1	415V	50A	22.5	RM450.00	
155	DB_XEPA NO.18	1	415V	60A	33.0	RM660.00	
156	DB_XEPA NO.19	1	415V	100A	53.0	RM1,060.00	
157	DB_XEPA NO.34	1	415V	200A	19.4	RM388.00	
158	DB_XEPA NO.36	1	-	-	25.0	RM500.00	CAPBANK PANEL
159	DB_XEPA NO.39	1	415V	63A	8.5	RM170.00	
160	DB_XEPA NO.43	1	415V	40A	21.5	RM430.00	
161	DB_XEPA NO.59	1	415V	60A	25.0	RM500.00	
162	DB_XEPA NO.69	1	415V	60A	12.5	RM250.00	
163	DB_XEPA NO.70	1	415V	32A	3.5	RM70.00	
164	DB_XEPA NO.71	1	-	-	6.5	RM130.00	MANUAL GAS DISCHARGE
165	DB_XEPA NO.72	1	415V	63A	11.5	RM230.00	
166	DB_XEPA NO.73	1	-	-	15.5	RM310.00	FAN FILTER CONTROL PANEL
167	DB_XEPA NO.74	1	-	-	1.95	RM19.50	EMPTY PANEL
168	DB_XEPA NO.76	1	-	-	1.6	RM32.00	TAMICO SECURITY
169	DB_XEPA NO.77	1	415V	60A	24.25	RM485.00	

*Used unit – In good condition

SWITCH BOARD LIST

CATEGORY: DISTRIBUTION BOARD (DB)

NO	DISCRIPTION	QTY	RATED VOLTAGE (VOLT)	RATED CURRENT (AMP)	WEIGHT (KG)	SELLING PRICE/ UNIT	REMARKS
170	DB_PINE HILL NO.3	1	415V	100A	22.0	RM440.00	CAPBANK PANEL
171	DB_PINE HILL NO.4	1	-	-	13.0	RM130.00	EMPTY PANEL
172	DB_PINE HILL NO.7	1	415V	150A	17.0	RM340.00	
173	DB_PINE HILL NO.8	1	415V	200A	68.0	RM1,360.00	
174	DB_SEPADU NO.1	1	415V	40A	7.0	RM140.00	ISOLATOR BOARD (SMALL)
175	DB_SEPADU NO.2	1	415V	40A	7.5	RM150.00	
176	DB_BARRY NO.18	1	-	-	3.5	RM70.00	ON/OFF SWITCH PANEL
177	DB_BARRY NO.19	1	-	-	7.25	RM145.00	DIGITAL WEIGHTING
178	DB_BARRY NO.21 (AUTRONIC)	1	-	-	6.5	RM130.00	TEMPERATURE CONTROLLER PANEL
179	DB_BARRY NO.40	1	415V	400A	258.5	RM5,170.00	CAPBANK PANEL
180	DB_H.VILLA NO.24	1	-	-	15.25	RM152.50	EMPTY PANEL
181	DB_H.VILLA NO.25	1	-	-	7.3	RM73.00	EMPTY PANEL
182	DB_H.VILLA NO.26	1	-	-	7.6	RM76.00	EMPTY PANEL
183	DB_INPOWER NO.2	1	415V	60A	22.5	RM562.50	NEW PANEL
184	DB_INPOWER NO.3	1	415V	60A	28.0	RM700.00	NEW PANEL
185	DB_INPOWER NO.4	1	415V	60A	33.0	RM825.00	NEW PANEL
186	DB_INPOWER NO.5	1	415V	60A	34.0	RM850.00	NEW PANEL
187	DB_INPOWER NO.6	1	415V	63A	23.5	RM587.50	NEW PANEL
188	DB_INPOWER NO.7	1	415V	125A	25.5	RM637.50	NEW PANEL
189	DB_INPOWER NO.8	1	415V	125A	25.0	RM625.00	NEW PANEL
190	DB_INPOWER NO.9	1	415V	63A	38.5	RM962.50	NEW PANEL
191	DB_INPOWER NO.10	1	-	-	32.5	RM325.00	EMPTY PANEL
192	DB_KLY 2 NO.1	1	415V	100A	26.0	RM520.00	
193	DB_SK NO.2	1	-	-	22.5	RM225.00	EMPTY PANEL
194	DB_KLY 2 NO.4	1	415V	100A	4.7	RM94.00	BREAKER PANEL
195	DB_KLY 2 NO.5	1	-	-	33.0	RM330.00	EMPTY PANEL
196	DB_EXYPNOS NO.1	1	-	-	6.15	RM61.50	EMPTY PANEL
197	DB_AMVERTON NO.2	1	-	-	23.8	RM476.00	CONTROL PANEL
198	DB_PINE SHINE NO.12	1	-	-	6.55	RM65.50	EMPTY PANEL
199	DB_BK NO.30	1	415V	63A	22.7	RM454.00	TEMPORARY DB C/W STAND
200	DB_BK NO.19	1	415V	63A	23.0	RM460.00	TEMPORARY DB C/W STAND

SWITCH BOARD LIST

CATEGORY: DISTRIBUTION BOARD (DB)

NO	DISCRIPTION	QTY	RATED VOLTAGE (VOLT)	RATED CURRENT (AMP)	WEIGHT (KG)	SELLING PRICE/ UNIT	REMARKS
201	DB_BK NO.32	1	415V	63A	23.9	RM478.00	TEMPORARY DB C/W STAND
202	DB_BK NO.33	1	415V	63A	23.9	RM478.00	TEMPORARY DB C/W STAND
203	DB_BK NO.45	1	415V	63A	23.6	RM472.00	TEMPORARY DB C/W STAND
204	DB_BK NO.29	1	415V	63A	23.1	RM462.00	TEMPORARY DB C/W STAND
205	DB_BK NO.31	1	415V	63A	22.7	RM454.00	TEMPORARY DB C/W STAND
206	DB_BK NO.36	1	415V	63A	23.5	RM470.00	TEMPORARY DB C/W STAND
207	DB_BK NO.18	1	415V	63A	23.5	RM470.00	TEMPORARY DB C/W STAND
208	DB_BK NO.42	1	415V	63A	23.1	RM462.00	TEMPORARY DB C/W STAND
209	DB_BK NO.48	1	415V	63A	23.3	RM466.00	TEMPORARY DB C/W STAND
210	DB_BK NO.46	1	415V	63A	23.0	RM460.00	TEMPORARY DB C/W STAND
211	DB_BK NO.23	1	415V	63A	22.6	RM452.00	TEMPORARY DB C/W STAND
212	DB_BK NO.39	1	415V	63A	22.6	RM452.00	TEMPORARY DB C/W STAND
213	DB_BK NO.41	1	415V	63A	22.9	RM458.00	TEMPORARY DB C/W STAND
214	DB_BK NO.22	1	415V	63A	22.6	RM452.00	TEMPORARY DB C/W STAND
215	DB_BK NO.37	1	415V	63A	23.6	RM472.00	TEMPORARY DB C/W STAND
216	DB_BK NO.21	1	415V	63A	23.15	RM463.00	TEMPORARY DB C/W STAND
217	DB_BK NO.52	1	415V	63A	22.85	RM457.00	TEMPORARY DB C/W STAND
218	DB_BK NO.35	1	415V	63A	23.1	RM462.00	TEMPORARY DB C/W STAND
219	DB_BK NO.20	1	415V	63A	23.5	RM470.00	TEMPORARY DB C/W STAND
220	DB_IAQ	5	415V	100A	32.0	RM640.00	TEMPORARY DB C/W STAND
221	DB_SUNPOWER	2	415V	60A	90.0	RM1,800.00	TEMPORARY DB C/W STAND
222	DB_TEAC	1	415V	100A	8.5	RM170.00	
223	DB_SCB UPS	1	-	-	37.0	RM740.00	
224	DB_OASIS	1	-	-	11.0	RM165.00	ON OFF BUTTON & SELECTOR SWITCH PANEL ONLY
225	DB_MELAWATI	1	230V	6A	24.7	RM494.00	CAPBANK PANEL
226	DB_DG WHP 1	1	415V	63A	11.95	RM239.00	
227	DB_DG	1	-	-	9.85	RM147.75	BUSBAR PANEL (NO WIRING)
228	DB_P.CAKE	1	-	-	3.0	RM45.00	TIMER PANEL (NO WIRING)

*Used unit – In good condition

SWITCH BOARD LIST

CATEGORY: DISTRIBUTION BOARD (DB)

NO	DISCRIPTION	QTY	RATED VOLTAGE (VOLT)	RATED CURRENT (AMP)	WEIGHT (KG)	SELLING PRICE/ UNIT	REMARKS
229	DB_TEAC	1	-	-	4.5	RM67.50	NEUTRAL LINK (NO WIRING)
230	DB_INTEL	1	-	-	6.0	RM60.00	EMPTY PANEL
231	DB_HEXATEC	1	415V	20A	4.5	RM90.00	
232	DB_DG	1	-	-	7.2	RM72.00	EMPTY PANEL
233	DB_P.CAKE	1	415V	60A	9.0	RM135.00	NO WIRING
234	DB_TS	2	-	-	1.75	RM17.50	EMPTY PANEL
235	DB_TS	1	-	-	2.9	RM29.00	EMPTY PANEL
236	DB_INTEL	1	-	-	2.3	RM34.50	SWITCHES PANEL ONLY
237	DB_INTEL	1	-	-	1.85	RM27.75	SWITCHES PANEL ONLY
238	DB_PALM SCANNER BRAKER	1	415V	63A	3.5	RM70.00	
239	DB_SCHWP KEY SWITCH	1	-	-	13.95	RM209.25	NO WIRING
240	DB_STORE	1	415V	20A	14.5	RM290.00	
241	DB_TS	1	-	-	2.35	RM23.50	EMPTY PANEL
242	DB_SK	1	-	-	13.7	RM137.00	EMPTY PANEL
243	DB_HEXATEC	1	-	-	4.55	RM45.50	EMPTY PANEL
244	DB_HEXATEC	1	-	-	5.75	RM57.50	EMPTY PANEL
245	DB_HEXATEC	1	-	-	5.9	RM59.00	EMPTY PANEL
246	DB_HEXATEC	1	-	-	6.15	RM61.50	EMPTY PANEL
247	DB_JB TEBRAU	1	415V	63A	9.4	RM188.00	
248	DB_INTEL	1	-	-	7.0	RM70.00	EMPTY PANEL
249	DB_TEAC	1	-	-	5.5	RM82.50	PUSH STOP START BUTTON ONLY
250	DB_SUNPOWER	1	-	-	9.0	RM90.00	EMPTY PANEL
251	DB_SUNPOWER	1	-	-	9.5	RM95.00	EMPTY PANEL
252	DB_ATA	1	-	-	2.95	RM29.50	EMPTY PANEL
253	DB_SUNPOWER	1	-	-	3.9	RM39.00	EMPTY PANEL
254	DB_INTEL	1	-	-	9.5	RM95.00	EMPTY PANEL
255	DB_INV C1	1	415V	100A	9.95	RM199.00	
256	DB_INV C2	1	415V	100A	9.95	RM199.00	
257	DB_INTEL	1	415V	100A	6.5	RM130.00	BREAKER PANEL
258	DB_SCB	1	415V	40A	57.0	RM1,140.00	
259	DB_ATA	3	-	-	3.2	RM32.00	EMPTY PANEL
260	DB_MLK BARU	1	-	-	12.0	RM120.00	EMPTY PANEL

SWITCH BOARD LIST

CATEGORY: DISTRIBUTION BOARD (DB)

NO	DISCRIPTION	QTY	RATED VOLTAGE (VOLT)	RATED CURRENT (AMP)	WEIGHT (KG)	SELLING PRICE/ UNIT	REMARKS
261	DB_HEXATEC	1	-	-	4.7	RM47.00	EMPTY PANEL
262	DB_HEXATEC	1	-	-	4.35	RM43.50	EMPTY PANEL
263	DB_HEXATEC	1	415V	63A	5.35	RM107.00	
264	DB_NEW SI ESSB	1	415V	100A	98.5	RM1,970.00	
265	DB_TEAC	1	415V	32A	10.0	RM200.00	
266	DB_TDB-42	1	-	-	8.0	RM80.00	EMPTY PANEL
267	DB_BREAKER BUSDUCT PANEL	1	415V	250A	12.65	RM253.00	BREAKER PANEL
268	DB_WD NO.23	1	-	-	22.0	RM220.00	EMPTY PANEL
269	DB_WD NO.18	1	-	-	21.0	RM210.00	EMPTY PANEL
270	DB_WD NO.39	1	-	-	7.0	RM70.00	EMPTY PANEL
271	DB_WD NO.41	1	-	-	7.0	RM70.00	EMPTY PANEL
272	DB_WD	2	-	-	8.55	RM85.50	EMPTY PANEL (TRANSPARENT COVER)
273	DB_KATO NO.7	1	400V	5A	6.0	RM90.00	KWH METER PANEL
274	DB_KATO NO.6	1	200V & 60V	5A & 5A	9.0	RM135.00	KWH METER PANEL
275	DB_B9 NO.2	1	415V	63A	10.0	RM200.00	C/W MALE FEMALE WALLSOCKET
276	DB_KATO NO.2	1	-	-	19.0	RM380.00	DPM PANEL
277	DB_WD	1	415V	63A	11.0	RM220.00	
278	DB_SCB	1	415V	63A	11.0	RM220.00	BREAKER PANEL
279	DB_TS	1	415V	63A	22.7	RM454.00	
280	DB_PNE	1	415V	60A	6.0	RM120.00	BREAKER PANEL
281	DB_TANZER	1	415V	160A	40.5	RM810.00	
282	DB_SUNPOWER	1	-	-	53.5	RM535.00	EMPTY PANEL
283	DB_ATA	1	-	-	31.0	RM620.00	TEMPERATURE CONTROLLER
284	DB_SUNPOWER	1	-	-	35.0	RM350.00	EMPTY PANEL (TRANSPARENT COVER)
285	DB_INTEL	1	415V	32A	38.5	RM770.00	C/W STAND
286	DB_ATA	1	415V	40A	37.0	RM555.00	NO WIRING
287	DB_INTEL	1	-	-	59.0	RM590.00	EMPTY PANEL
288	DB_INTEL (RS PANEL)	1	-	-	471.0	RM4,710.00	EMPTY PANEL
289	DB_SUNPOWER	1	-	-	87.50	RM875.00	EMPTY PANEL
290	DB_EXPERT NO.4	1	415V	125A	39.0	RM780.00	

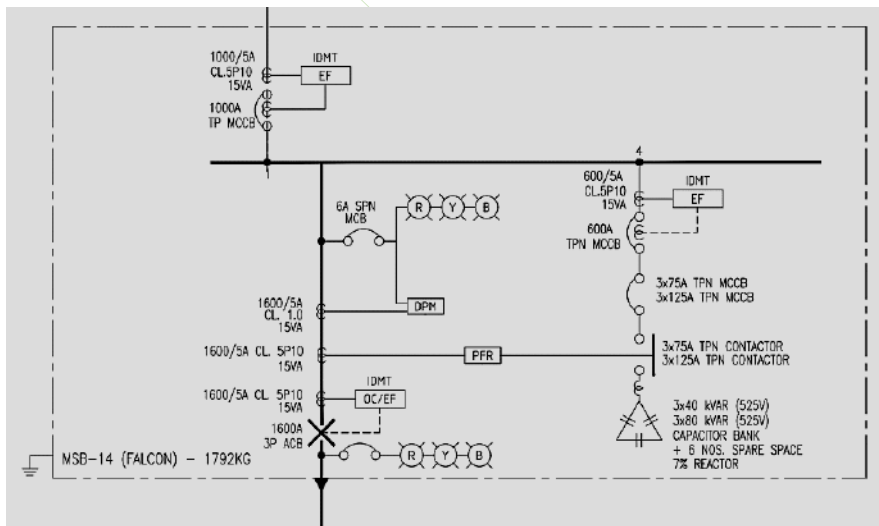
*Used unit – In good condition

SWITCH BOARD LIST

CATEGORY: DISTRIBUTION BOARD (DB)

NO	DISCRIPTION	QTY	RATED VOLTAGE (VOLT)	RATED CURRENT (AMP)	WEIGHT (KG)	SELLING PRICE/ UNIT	REMARKS
291	DB_MERDEKA 118 NO.3	1	-	-	130.0	RM2,600.00	
292	DB_PLAZA NO.1	1	415V	40A	36.85	RM737.00	
293	DB_PLAZA NO.2	1	415V	40A	37.35	RM747.00	
294	DB_PLAZA NO.3	1	415V	60A	38.3	RM766.00	
295	DB_PLAZA NO.4	2	-	200A	15.0	RM300.00	BREAKER PANEL
296	DB_PLAZA NO.5	1	415V	40A	4.0	RM80.00	
297	DB_PLAZA NO.6	1	415V	40A	4.5	RM90.00	
298	DB_PLAZA NO.7	1	-	-	3.0	RM60.00	TIMER PANEL
299	DB_PLAZA NO.8	1	415V	40A	4.0	RM80.00	
300	DB_PLAZA NO.9	1	415V	40A	4.0	RM80.00	
301	DB_PLAZA NO.10	1	415V	40A	37.0	RM740.00	
302	DB_PLAZA NO.11	1	415V	60A	38.0	RM760.00	
303	DB_PLAZA NO.12	1	415V	40A	37.0	RM740.00	
304	DB_PLAZA NO.13	1	415V	60A	38.5	RM770.00	
305	DB_PLAZA NO.14	1	415V	40A	20.5	RM410.00	
306	DB_PLAZA NO.16	1	-	-	19.0	RM380.00	ON/OFF SWITCH PANEL
307	DB_PLAZA NO.18	1	415V	60A	38.5	RM770.00	
308	DB_PLAZA NO.20	1	415V	40A	4.0	RM80.00	
309	DB_PLAZA NO.21	1	415V	40A	7.0	RM140.00	FIRE ALARM PANEL

*Used unit – In good condition



MSB_14 (P1-P3) c/w CAPBANK

Price: RM44,800.00

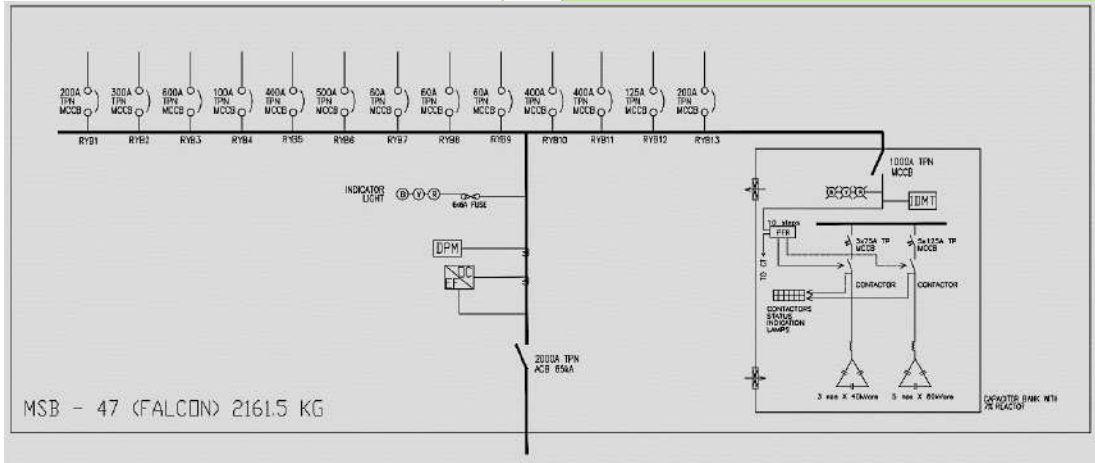
Rated Voltage: 415V

Rated Current (Amp): 1600A

Weight: 1,792.0KG



SWITCH BOARD - MSB



MSB_47 (P1-P4) C/W CAPBANK

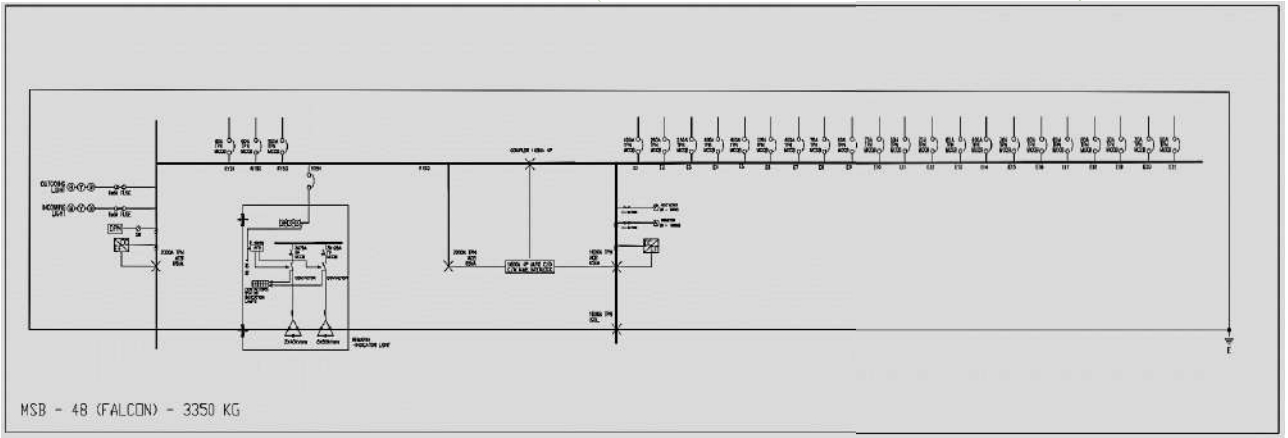
Price: RM54,037.50

Rated Voltage: 415V

Rated Current (Amp): 2000A

Weight: 2,161.5KG





MSB_48 (P1-P7) C/W CAPBANK & GENSET CHANGEOVER SYSTEM

Price: RM83,750.00

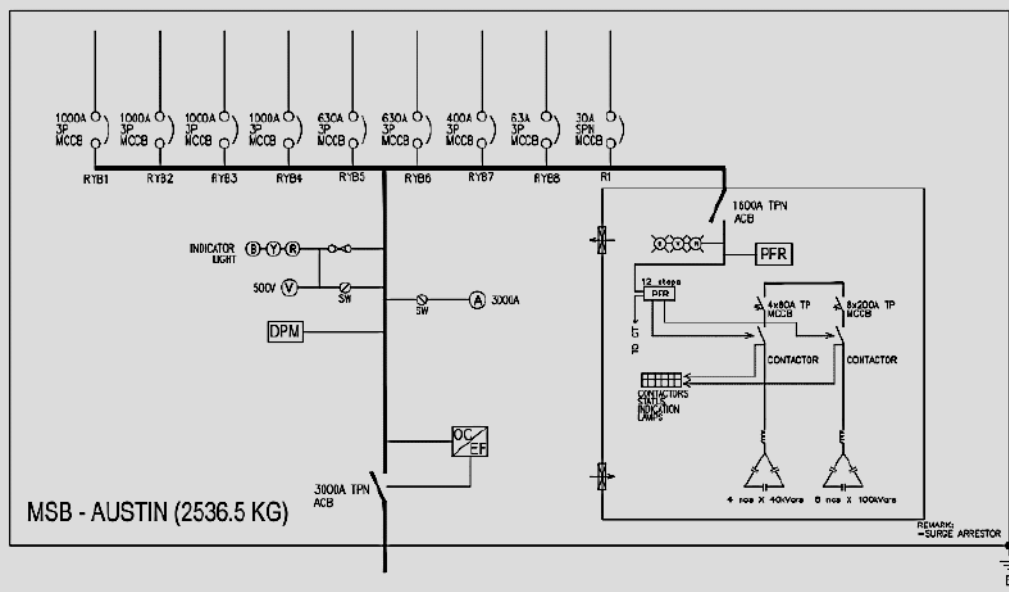
Rated Voltage: 415V

Rated Current (Amp): 2000A

Weight: 3,350.0KG



SWITCH BOARD - MSB



MSB_AUSTIN c/w CAPBANK

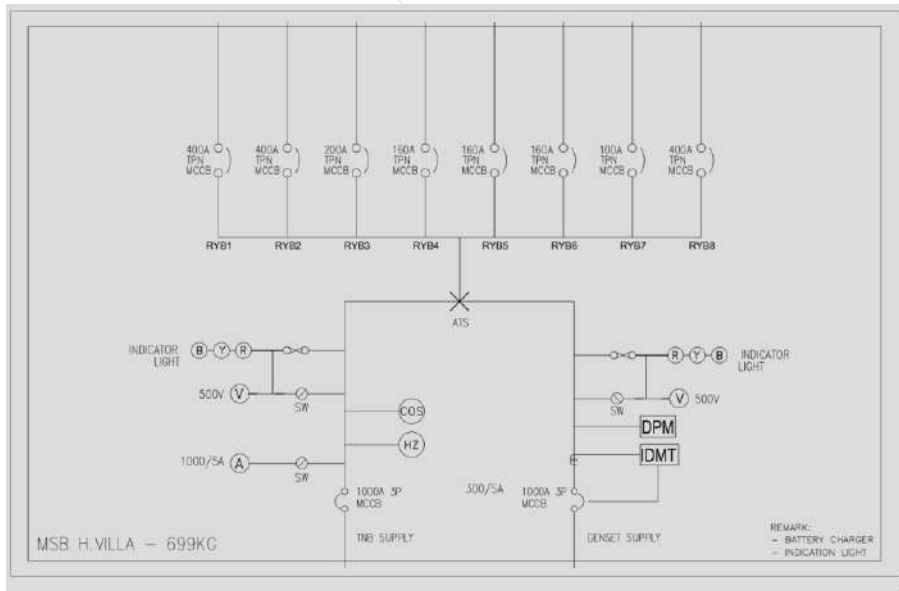
Price: RM63,412.50

Rated Voltage: 415V

Rated Current (Amp): 3000A

Weight: 2,536.5KG





MSB_H.VILLA NO.1 (TEE) C/W AUTOMATIC TRANSFER SWITCH

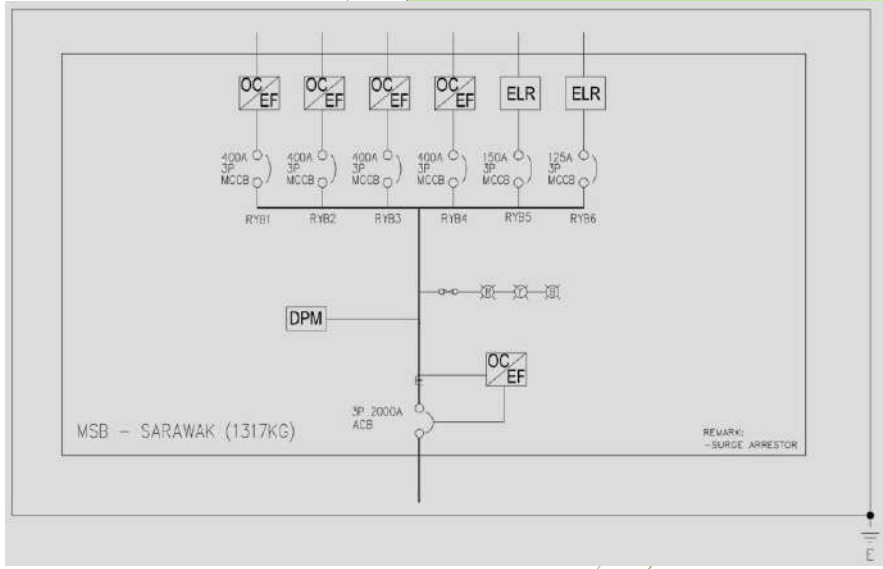
Price: RM17,475.00

Rated Voltage: 415V

Rated Current (Amp): 1000A

Weight: 699.0KG

SWITCH BOARD - MSB



MSB_SARAWAK

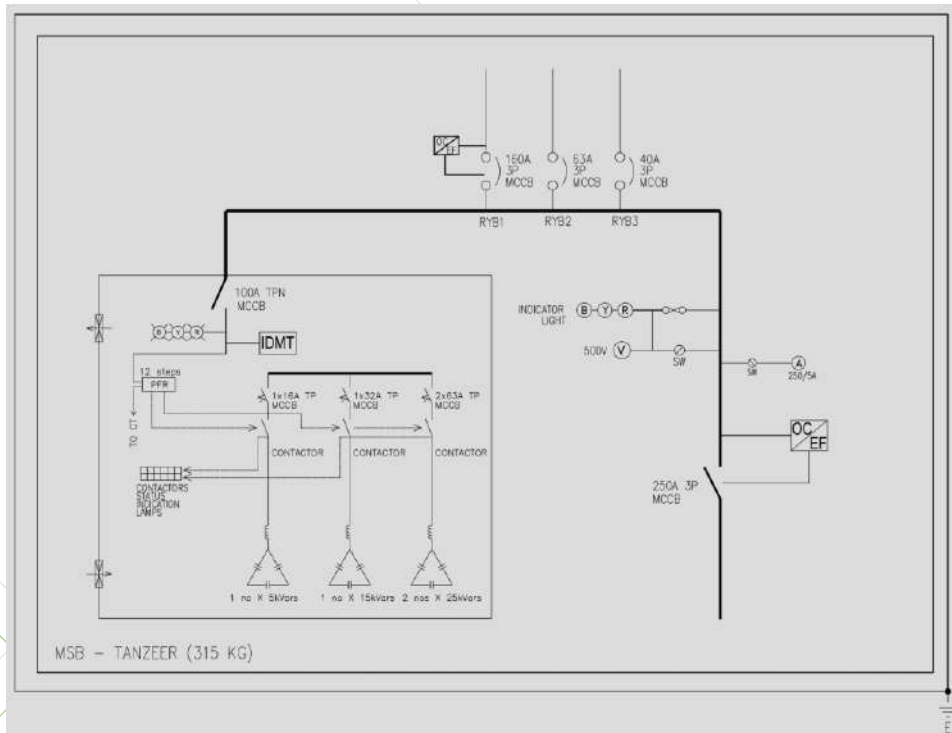
Price: RM32,925.00

Rated Voltage: 480V

Rated Current (Amp): 2000A

Weight: 1,317.0KG





MSB_TANZER c/w CAPBANK

Price: RM7,875.00

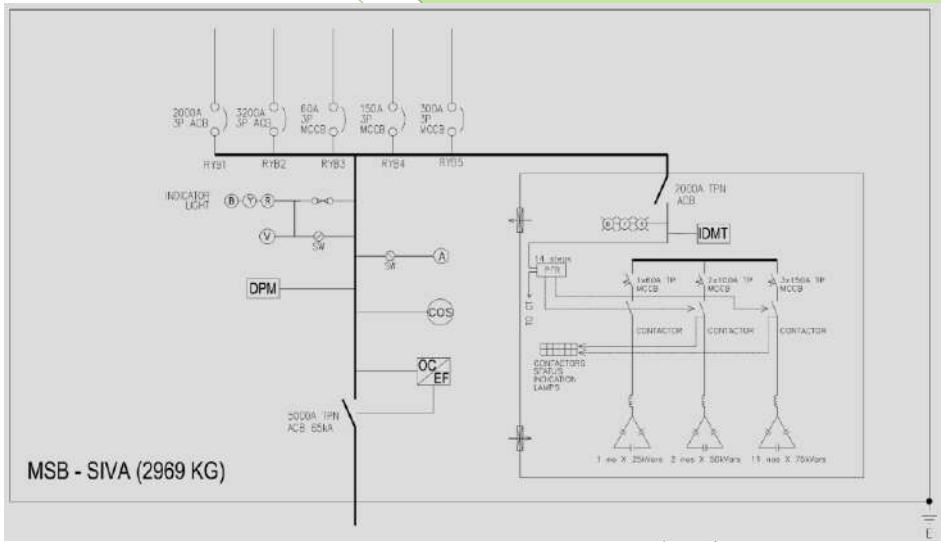
Rated Voltage: 415V

Rated Current (Amp): 250A

Weight: 315.0KG



SWITCH BOARD - MSB



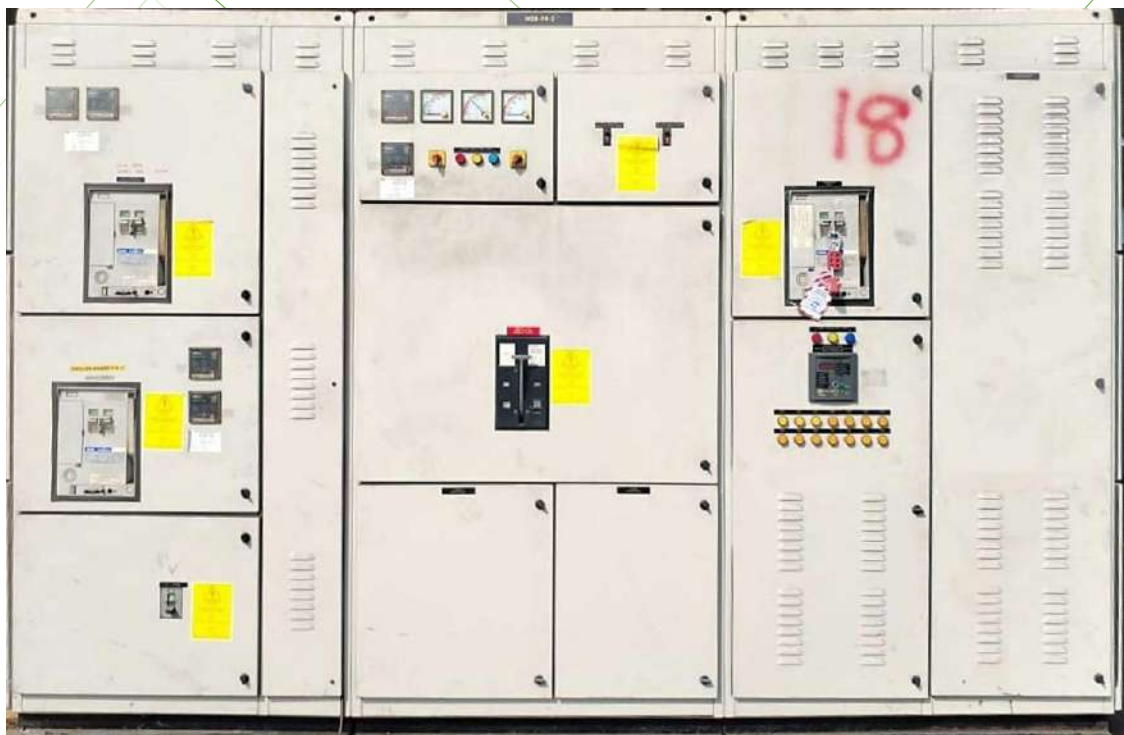
MSB_SIVA c/w CAPBANK

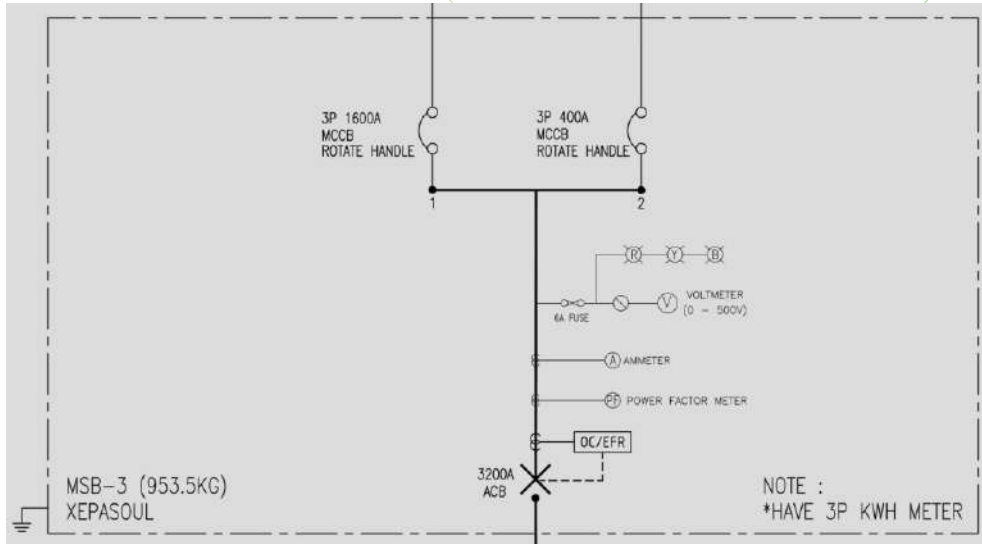
Price: RM74,225.00

Rated Voltage: 415V

Rated Current (Amp): 5000A

Weight: 2,969.0KG





MSB_XEPA 2 NO.47

Price: RM23,837.50

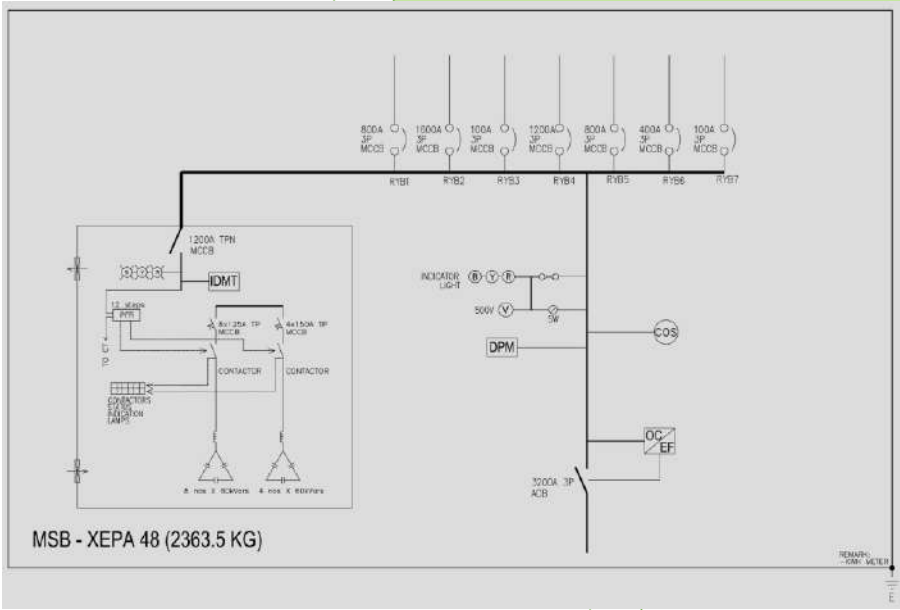
Rated Voltage: 415V

Rated Current (Amp): 3200A

Weight: 953.5KG



SWITCH BOARD - MSB



MSB_XEPA 2 NO.48 c/w CAPBANK

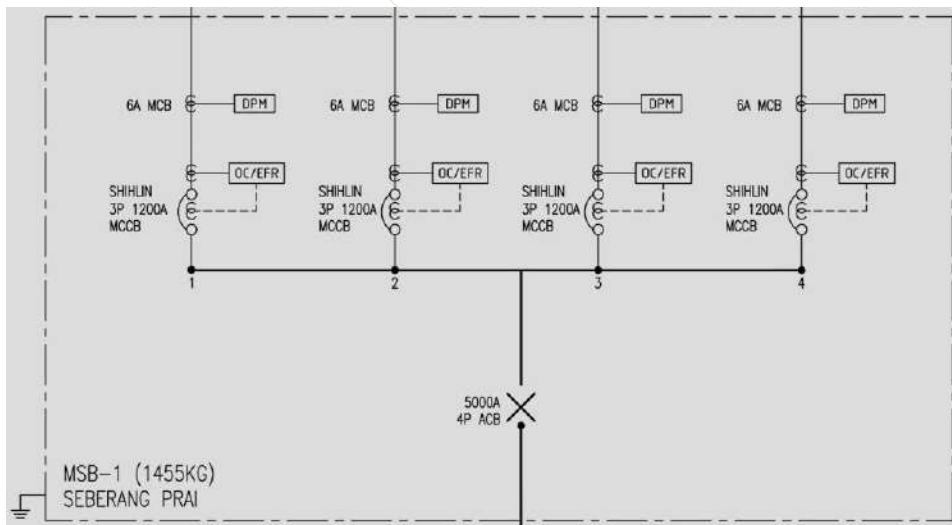
Price: RM59,087.50

Rated Voltage: 415V

Rated Current (Amp): 3200A

Weight: 2,363.5KG





MSB_PRAI NO.1 (BREAKER PANEL)

Price: RM21,825.00

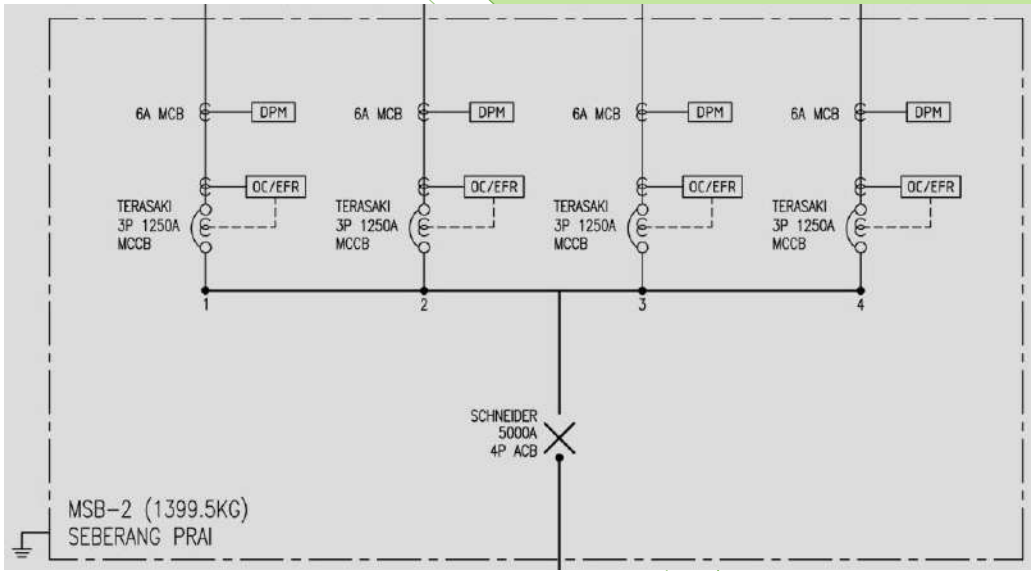
Rated Voltage: 415V

Rated Current (Amp): 5000A

Weight: 1,455.0KG



SWITCH BOARD - MSB



MSB_PRAI NO. 2 (BREAKER PANEL)

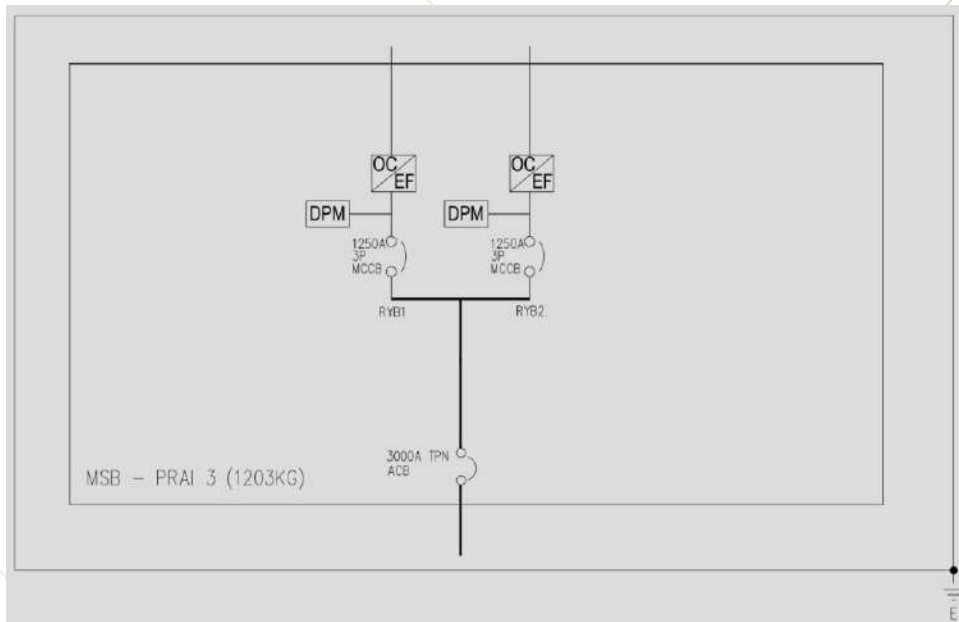
Price: RM20,985.00

Rated Voltage: 415V

Rated Current (Amp): 5000A

Weight: 1,399.0KG





MSB_PRAI NO.3

Price: RM30,075.00

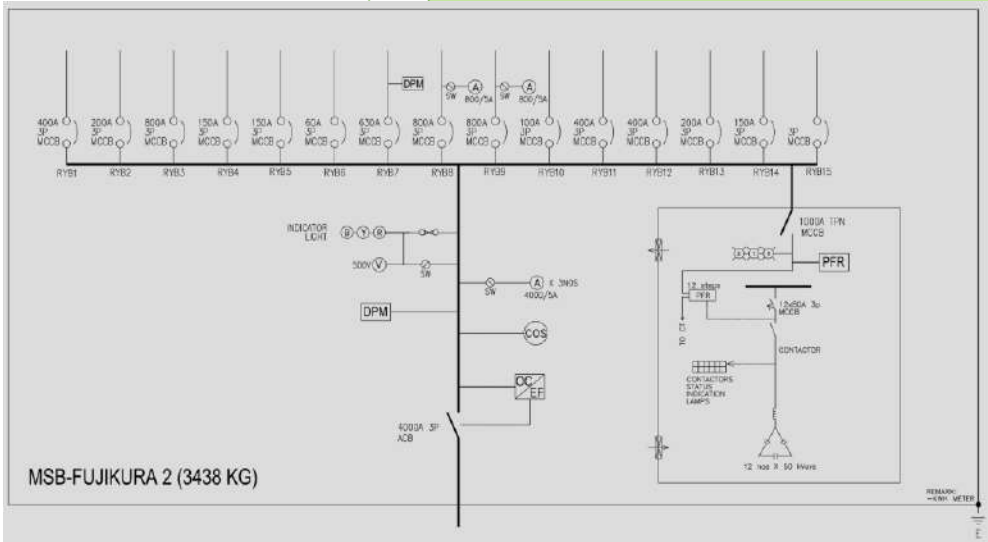
Rated Voltage: 415V

Rated Current (Amp): 3000A

Weight: 1,203.0KG



SWITCH BOARD - MSB



MSB_FUJIKURA NO.2 c/w CAPBANK

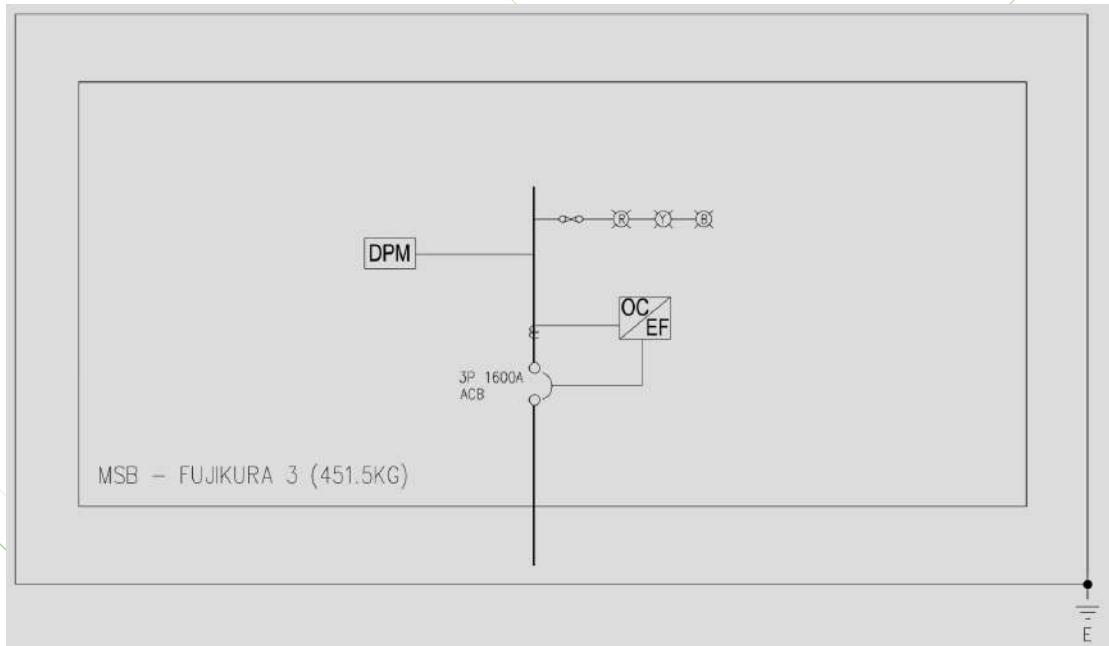
Price: RM85,950.00

Rated Voltage: 415V

Rated Current (Amp): 4000A

Weight: 3,438.0KG





MSB_FUJIKURA NO.3

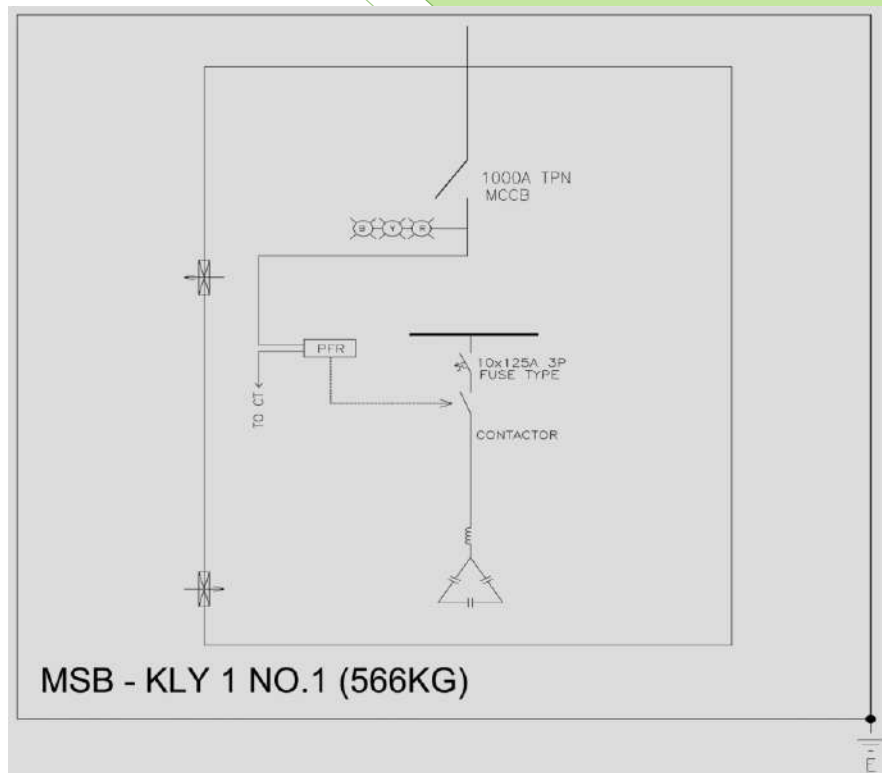
Price: RM11,287.50

Rated Voltage: 200V

Rated Current (Amp): 1600A

Weight: 451.5KG

SWITCH BOARD - MSB



MSB_KLY 1 NO.1 (CAPBANK PANEL)

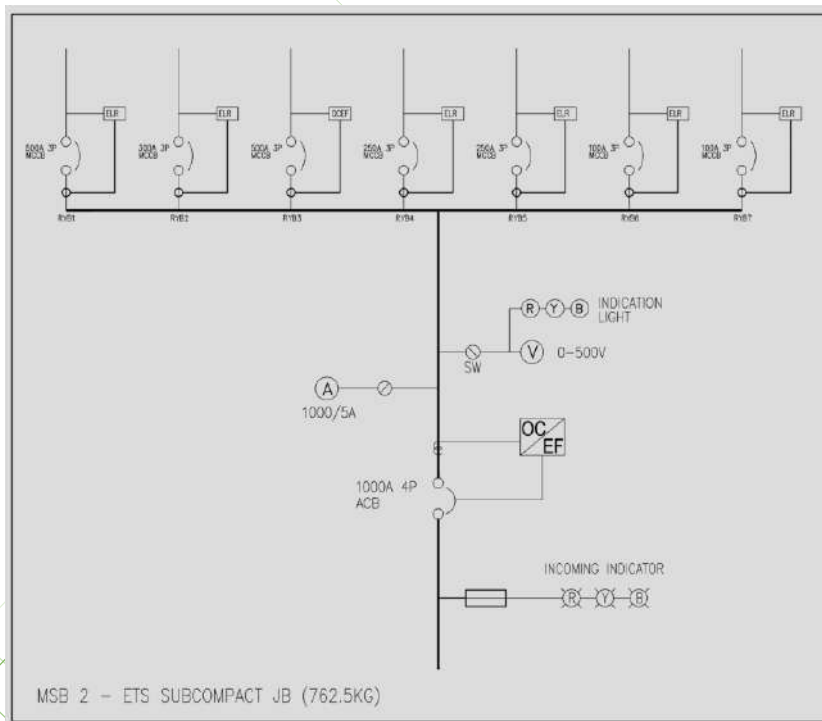
Price: RM14,150.00

Rated Voltage: 415V

Rated Current (Amp): 1000A

Weight: 566.0KG





MSB_ETS NO.2 (TEE)

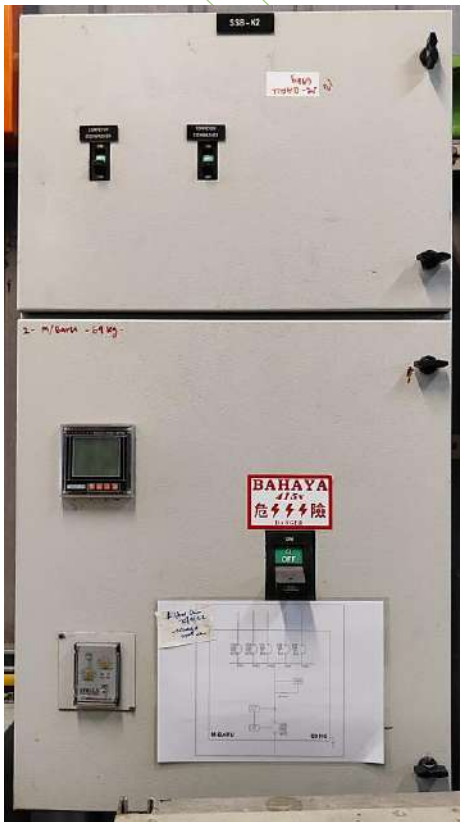
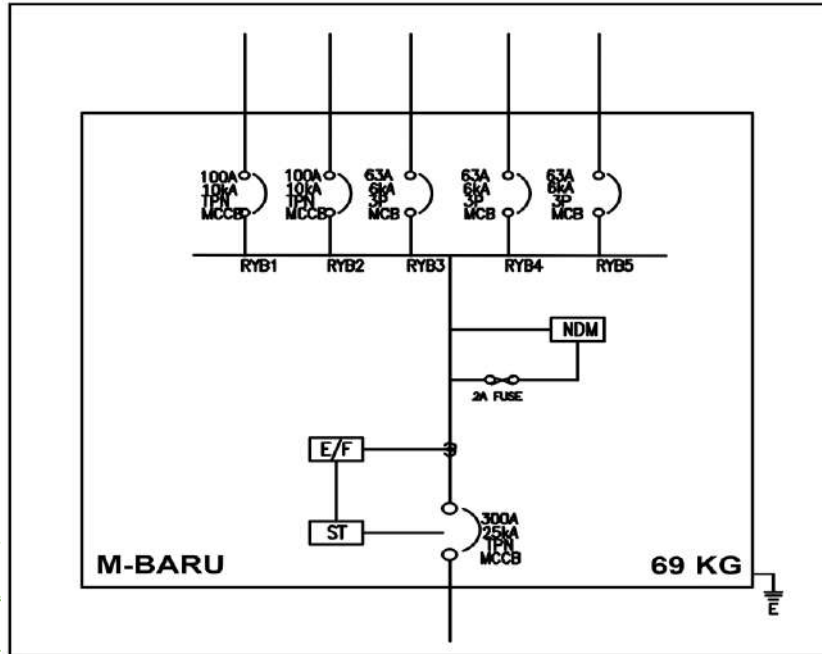
Price: RM19,062.50

Rated Voltage: 415V

Rated Current (Amp): 1000A

Weight: 762.5KG





SSB_K2

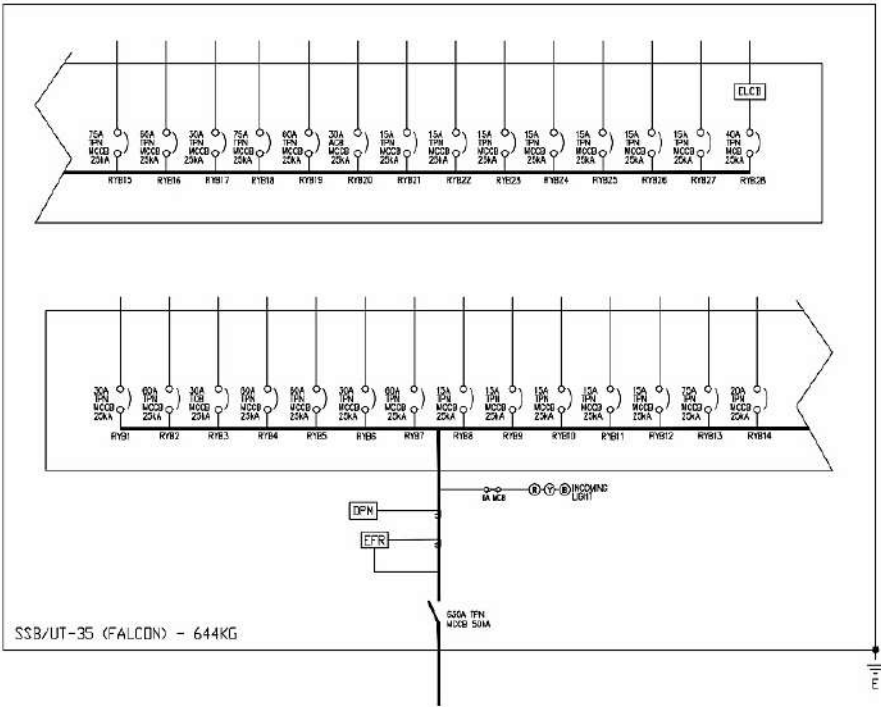
Price: RM1,725.00

Rated Voltage: 415V

Rated Current (Amp): 300A

Weight: 69KG

SWITCH BOARD - SSB



SSB-UT-35

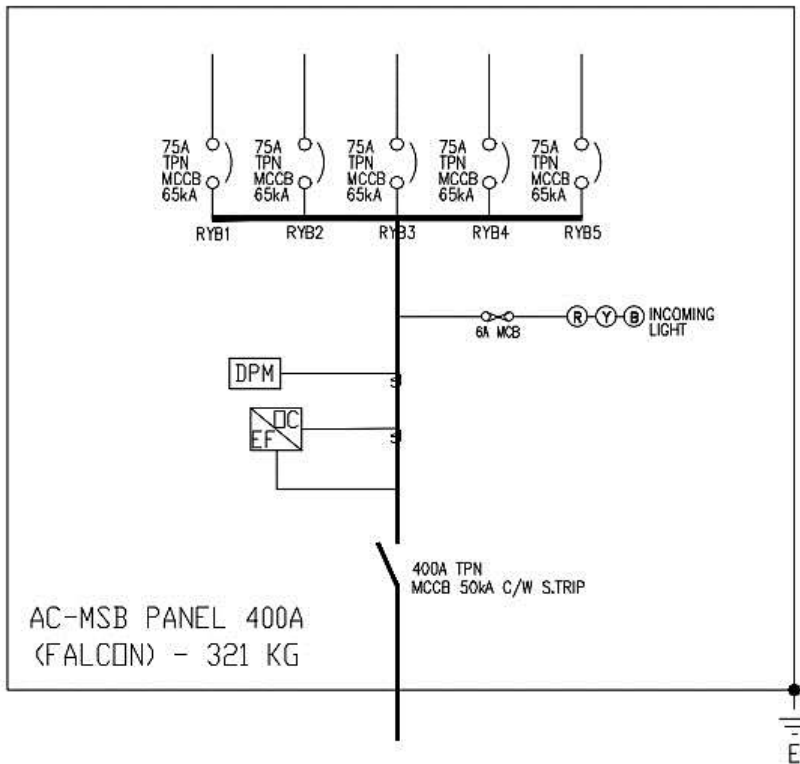
Price: RM16,100.00

Rated Voltage: 415V

Rated Current (Amp): 630A

Weight: 644KG





**SSB-GF ELECTRICAL ROOM
1 PHOTOVOLTAIC (AC-MSB)**

Price: RM8,025.00

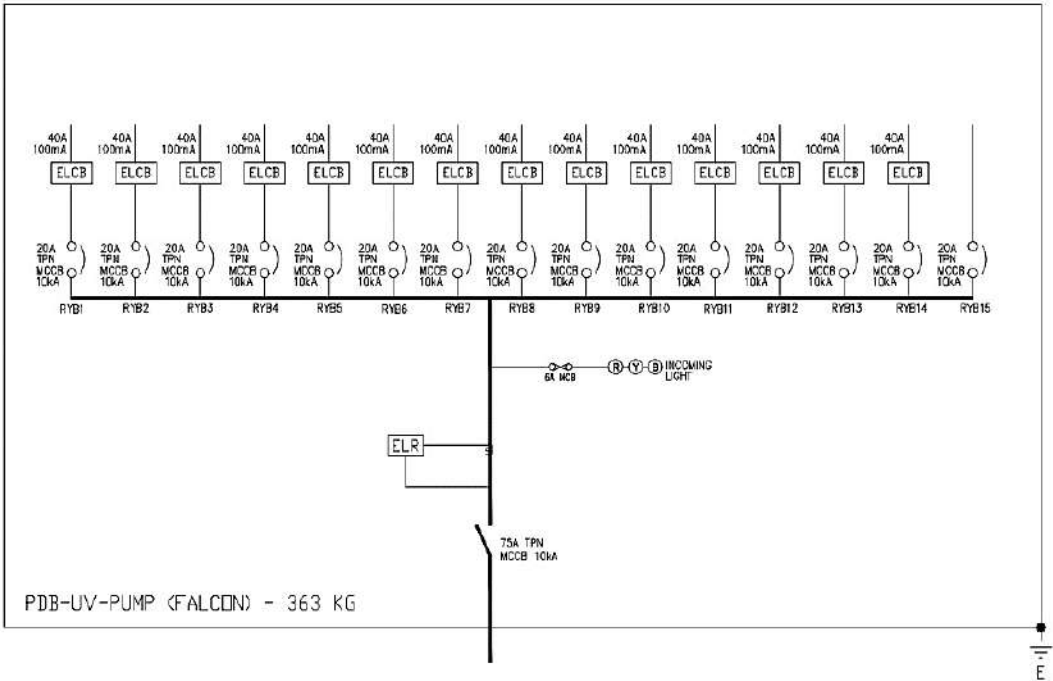
Rated Voltage: 415V

Rated Current (Amp): 400A

Weight: 321KG



SWITCH BOARD - SSB



SSB_PDB-UV-PUMP

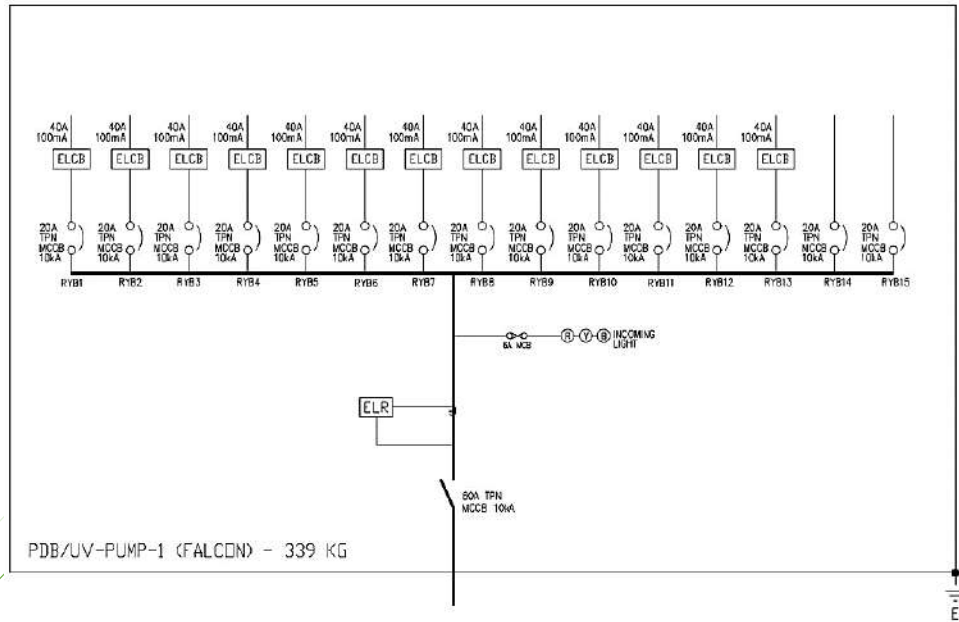
Price: RM9,075.00

Rated Voltage: 415V

Rated Current (Amp): 75A

Weight: 363KG





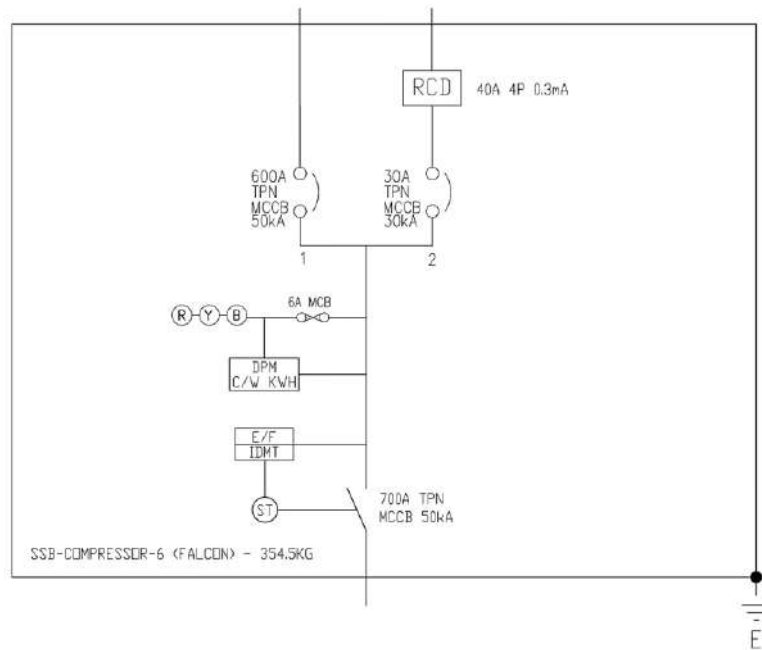
SSB_PDB/UV - PUMP 1

Price: RM8,475.00

Rated Voltage: 415V

Rated Current (Amp): 60A

Weight: 339KG



SSB_COMPRESSOR 6

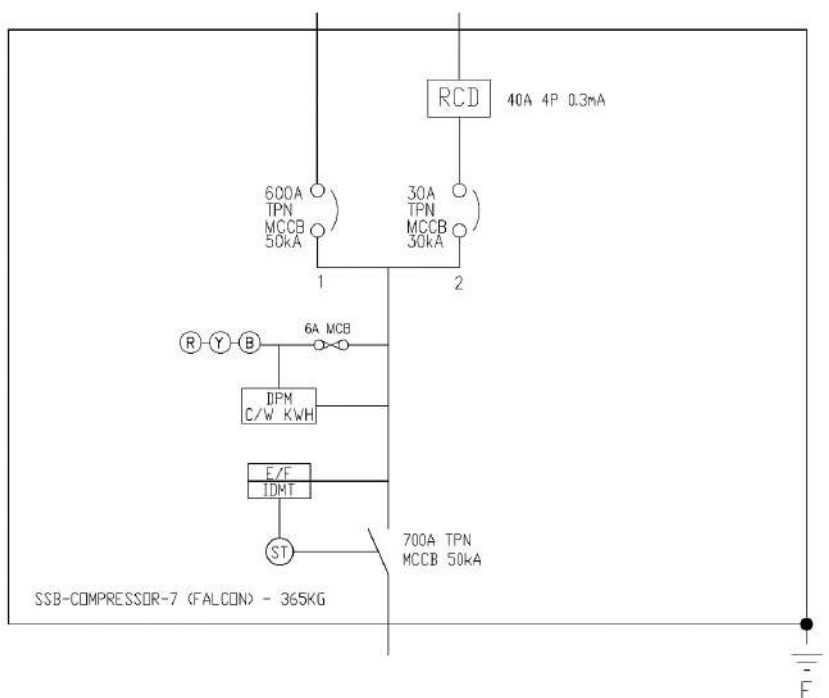
Price: RM8,862.50

Rated Voltage: 415V

Rated Current (Amp): 700A

Weight: 354.5KG

SWITCH BOARD - SSB



SSB_COMPRESSOR 7

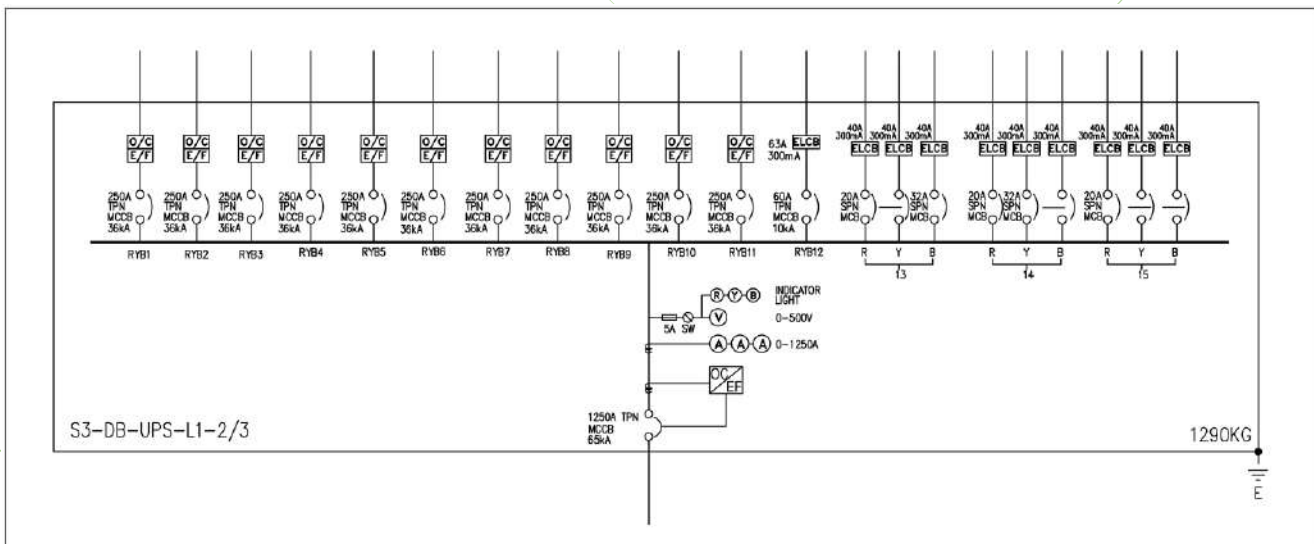
Price: RM9,125.00

Rated Voltage: 415V

Rated Current (Amp): 700A

Weight: 365KG





SSB_S3-DB-UPS-L1-2/3 (C1-C4)

Price: RM32,250.00

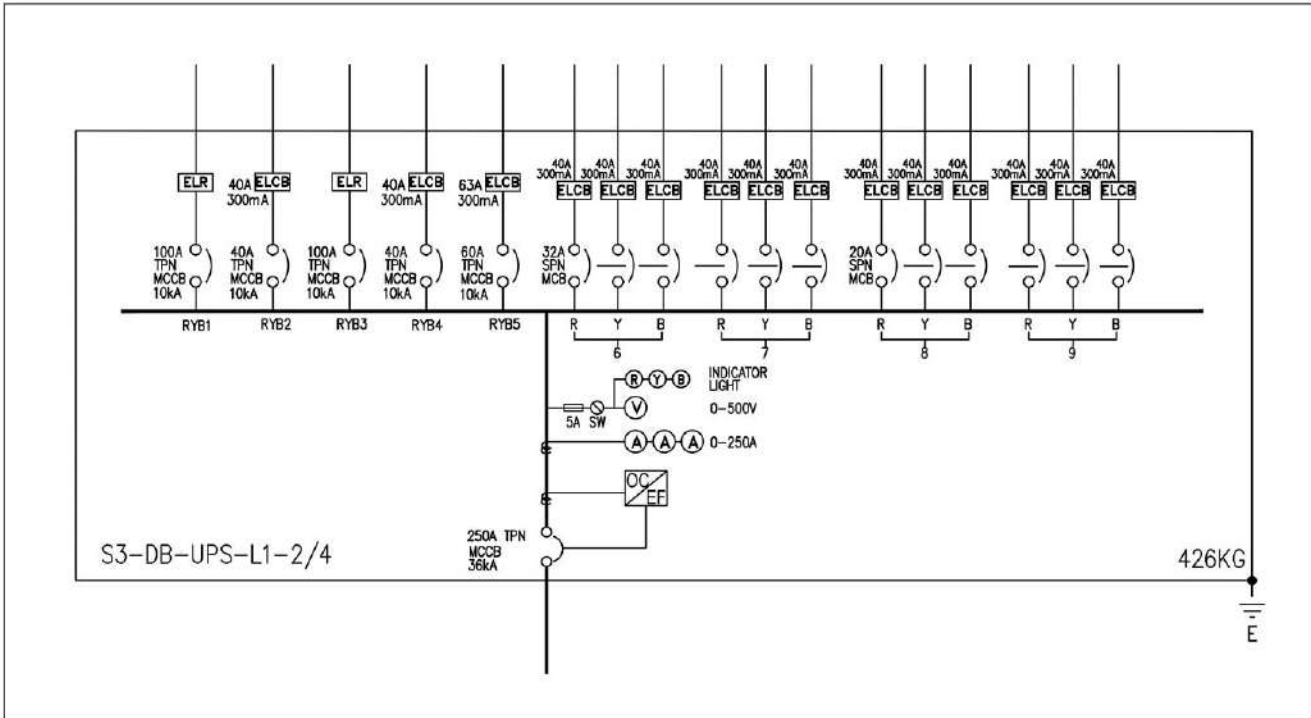
Rated Voltage: 415V

Rated Current (Amp): 1250A

Weight: 1290KG



SWITCH BOARD - SSB



SSB_S3-DB-UPS-L1-2/4 (C1-C3)

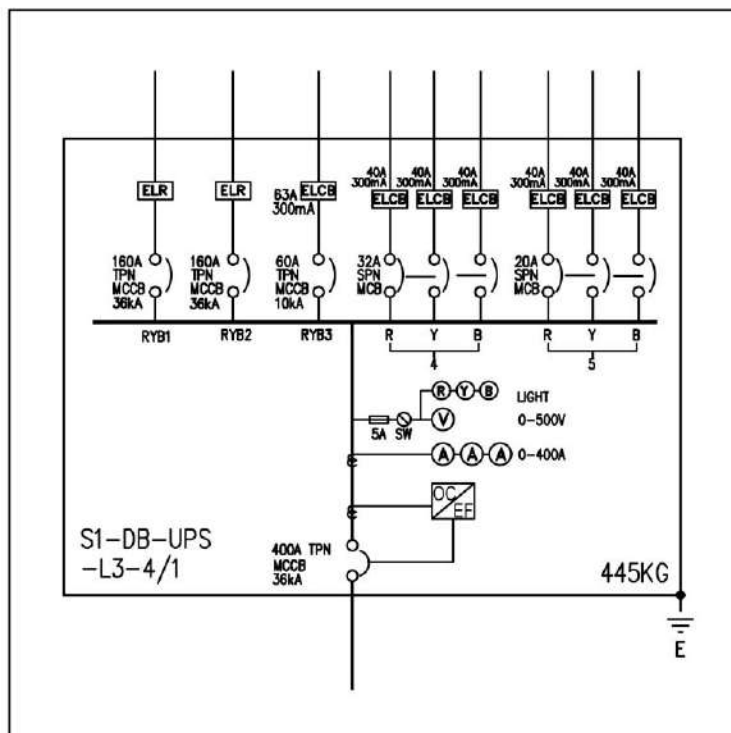
Price: RM10,650.00

Rated Voltage: 415V

Rated Current (Amp): 250A

Weight: 426KG





SSB_S1-DB-UPS-L3-4/1 (C1-C3)

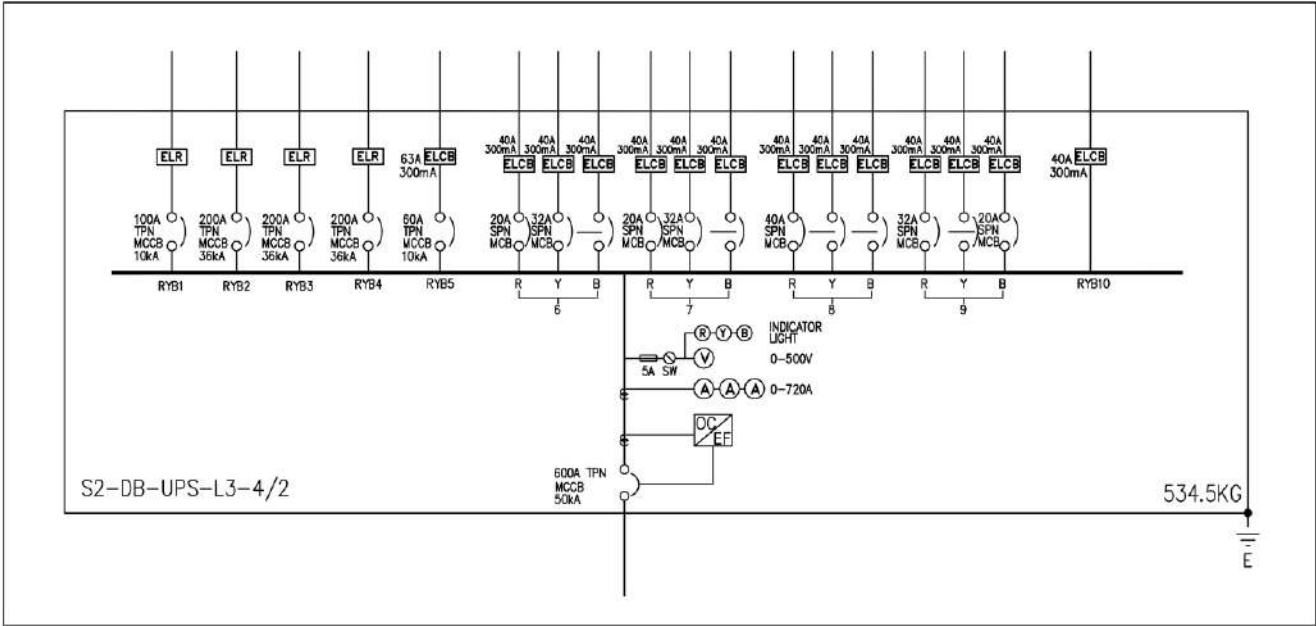
Price: RM11,125.00

Rated Voltage: 415V

Rated Current (Amp): 400A

Weight: 445KG

SWITCH BOARD - SSB



SSB_S2-DB-UPS-L3-4/2 (C1-C3)

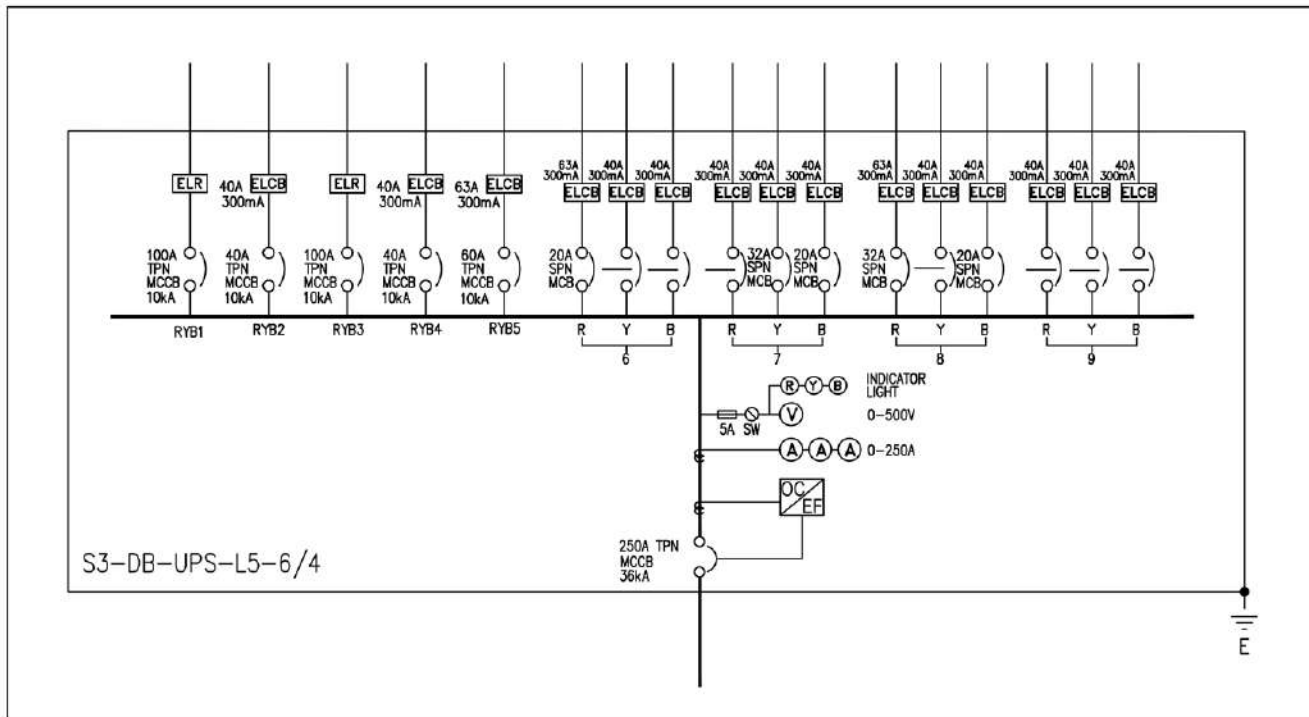
Price: RM13,362.50

Rated Voltage: 415V

Rated Current (Amp): 600A

Weight: 534.5KG





SSB_S3-DB-UPS-L5-6/4 (C1-C3)

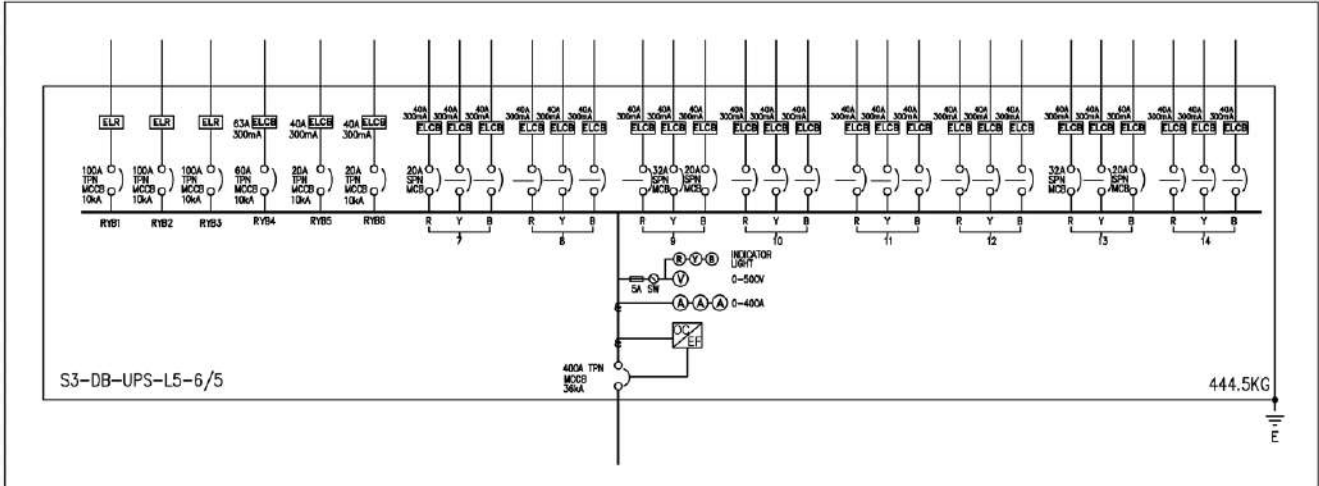
Price: RM10,450.00

Rated Voltage: 415V

Rated Current (Amp): 250A

Weight: 418KG

SWITCH BOARD - SSB



SSB_S3-DB-UPS-L5-6/5 (C1-C3)

Price: RM11,112.50

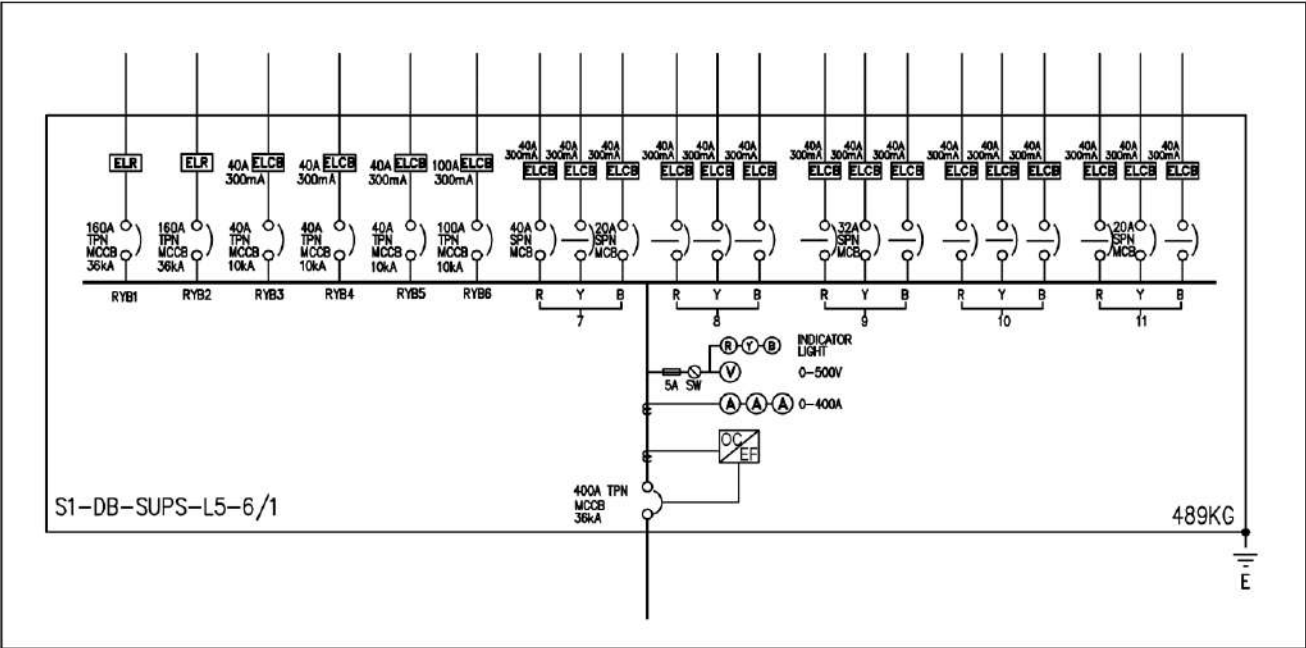
Rated Voltage: 415V

Rated Current (Amp): 400A

Weight: 444.5KG



SWITCH BOARD - SSB



SSB_S1-DB-SUPS-L5-6/1 (C1-C3)

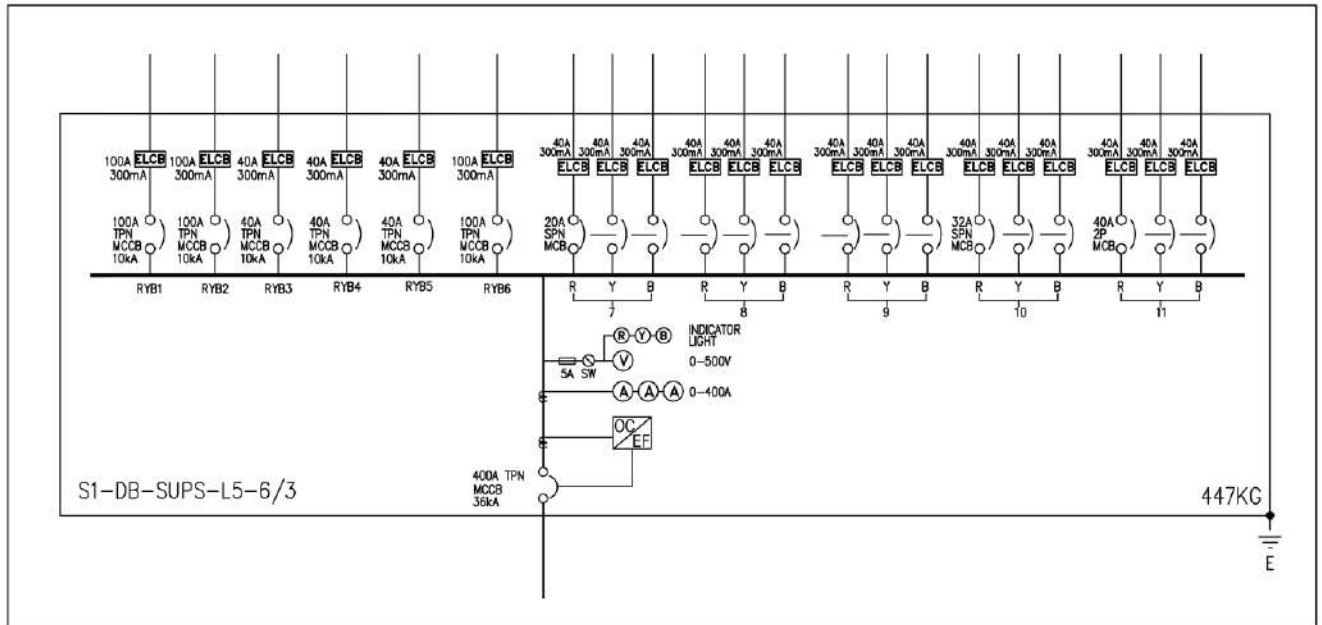
Price: RM12,225.00

Rated Voltage: 415V

Rated Current (Amp): 400A

Weight: 489KG





SSB_S1-DB-SUPS-L5-6/3 (C1-C3)

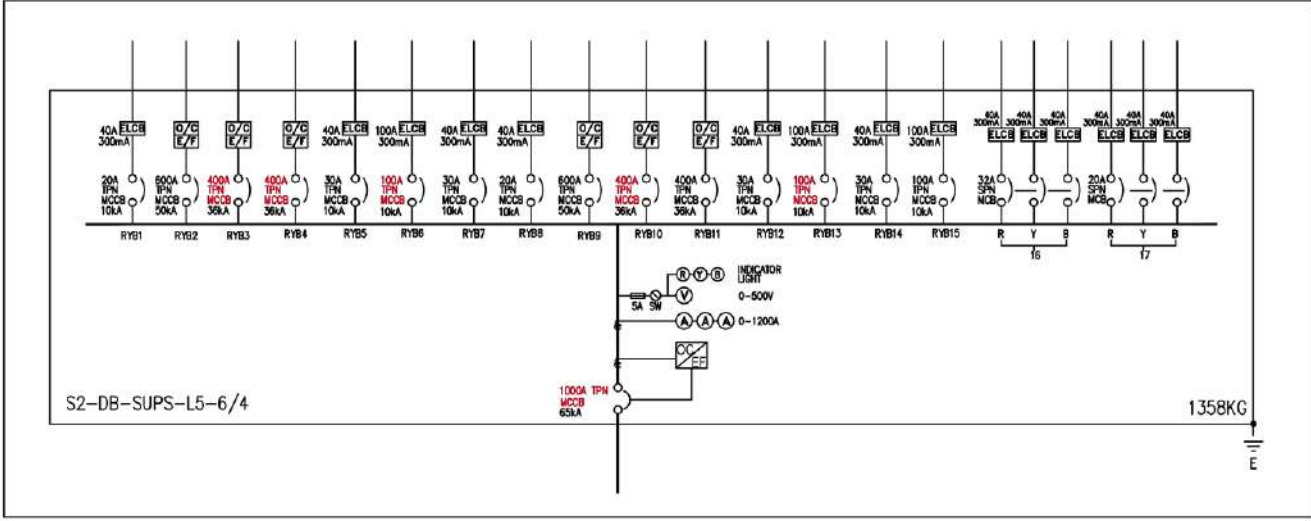
Price: RM11,175.00

Rated Voltage: 415V

Rated Current (Amp): 400A

Weight: 447KG

SWITCH BOARD - SSB



SSB_S2-DB-SUPS-L5-6/4 (C1-C6)

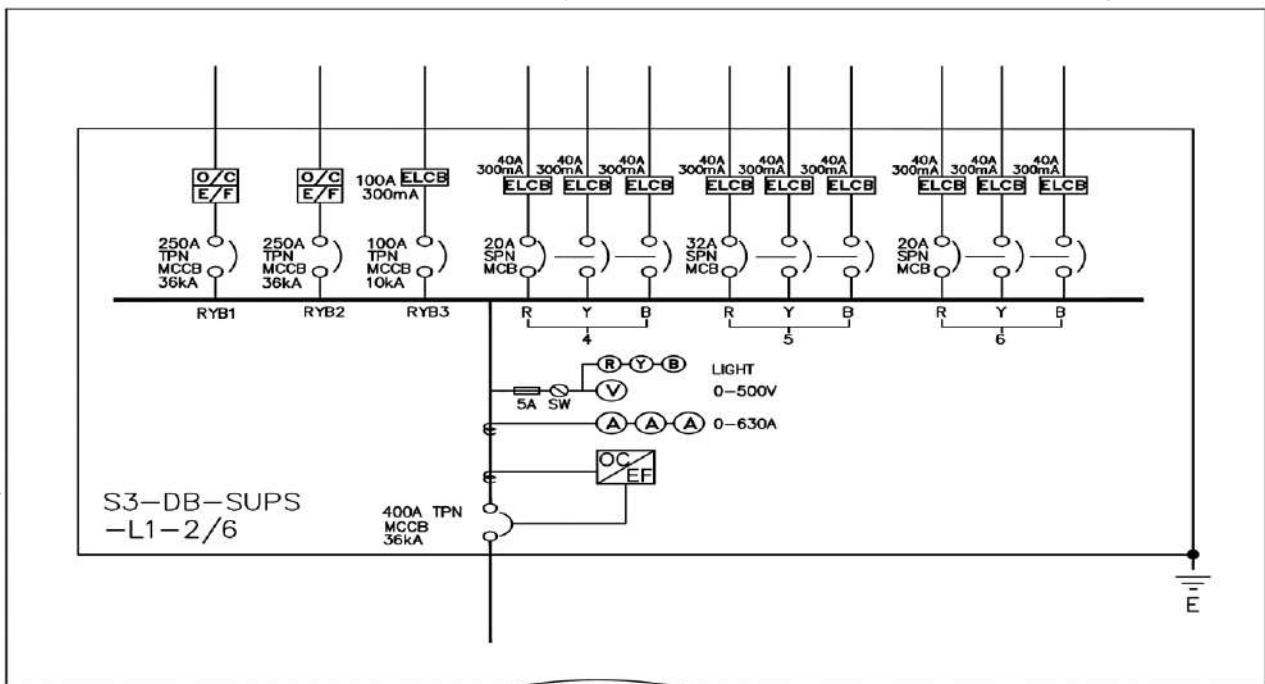
Price: RM33,950.00

Rated Voltage: 415V

Rated Current (Amp): 1000A

Weight: 1358KG





SSB_S3-DB-SUPS-L1-2/6 (C1-C3)

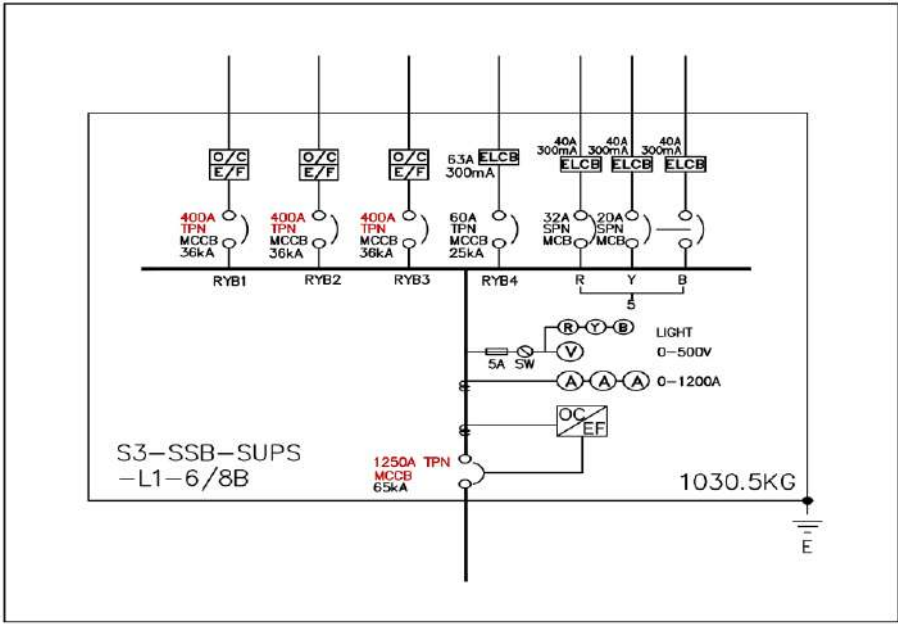
Price: RM11,662.50

Rated Voltage: 415V

Rated Current (Amp): 400A

Weight: 466.5KG

SWITCH BOARD - SSB



SSB_S3-SSB-SUPS-L1-6/8B (C1-C5)

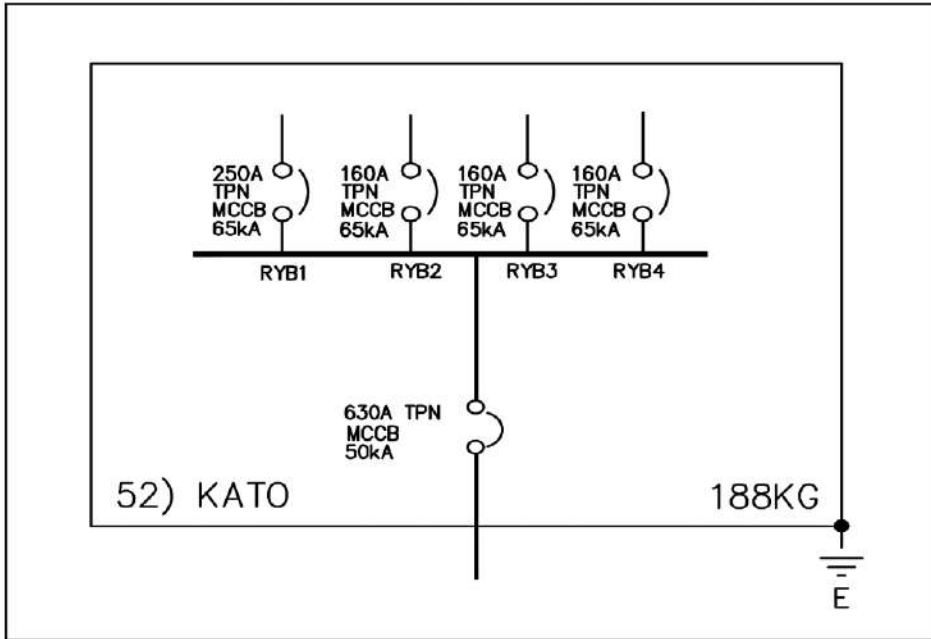
Price: RM25,762.50

Rated Voltage: 415V

Rated Current (Amp): 1250A

Weight: 1030.5KG





SSB_KATO NO. 52

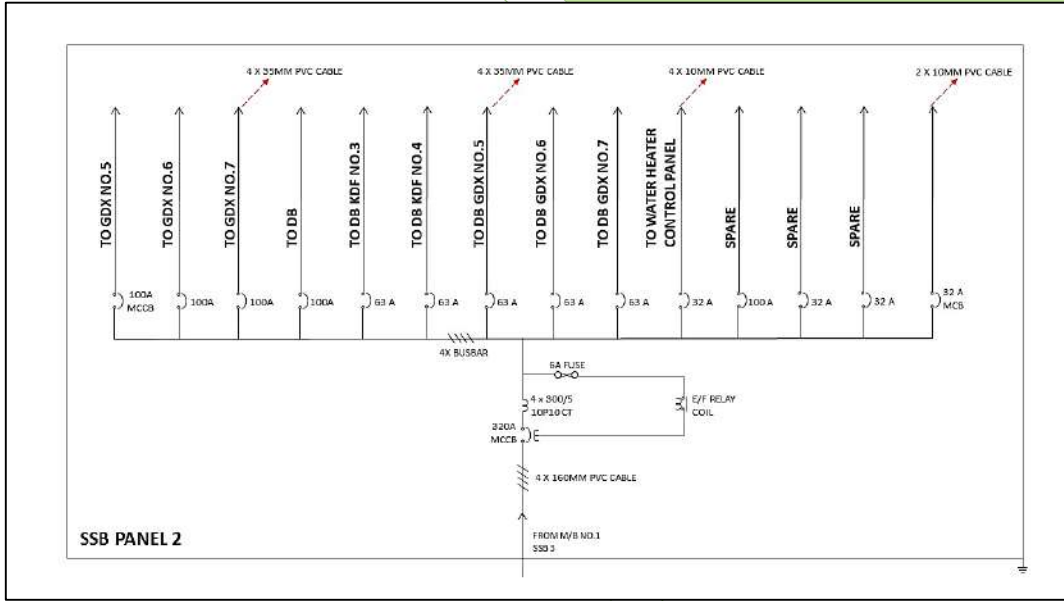
Price: RM4,700.00

Rated Voltage: 415V

Rated Current (Amp): 630A

Weight: 188KG

SWITCH BOARD - SSB



SSB_KATO NO. 53

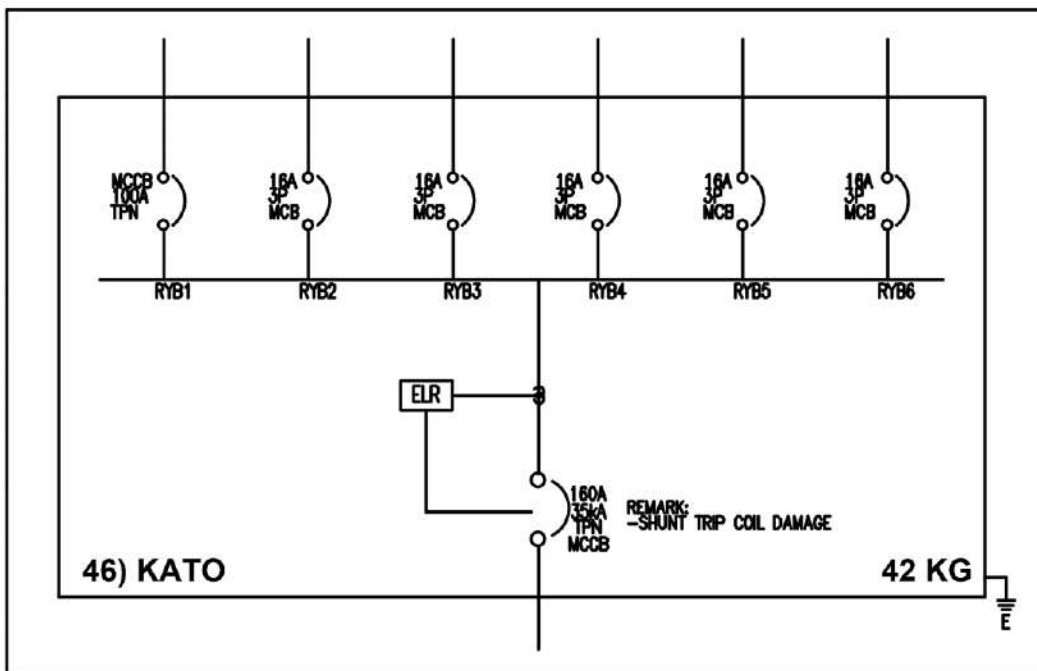
Price: RM6,925.00

Rated Voltage: 415V

Rated Current (Amp): 400A

Weight: 277KG





SSB_KATO NO. 46

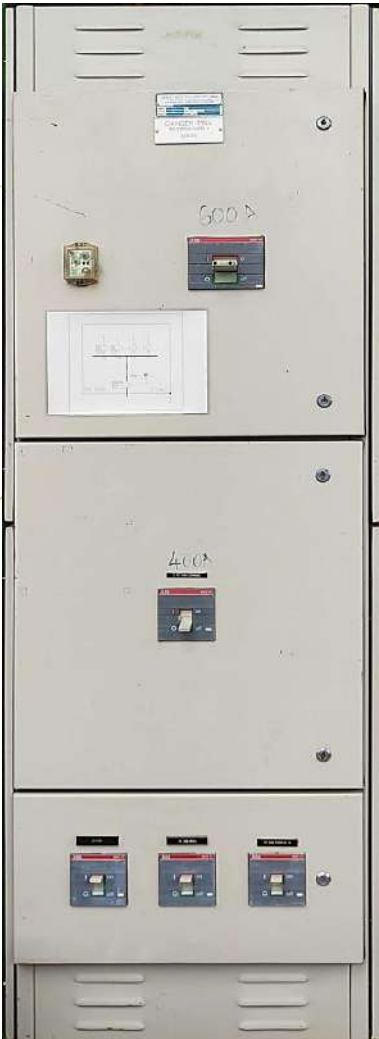
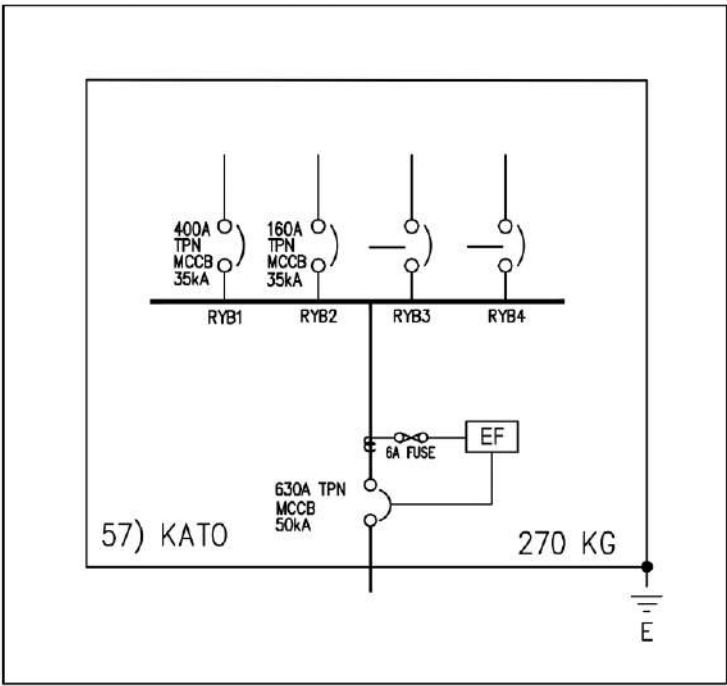
Price: RM1,050.00

Rated Voltage: 415V

Rated Current (Amp): 160A

Weight: 42KG

SWITCH BOARD - SSB



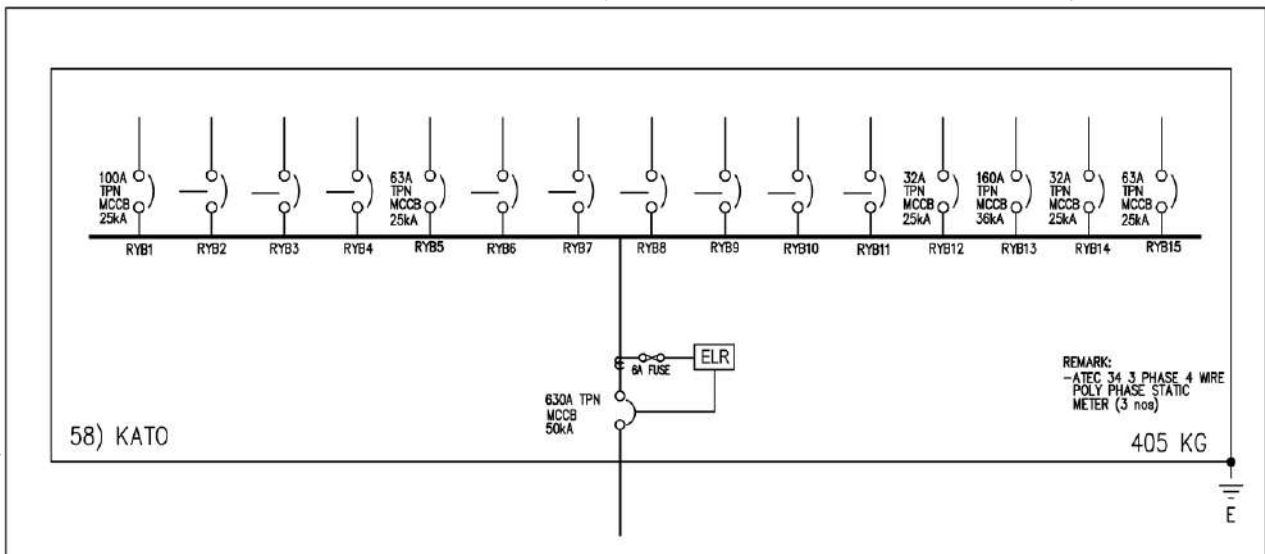
SSB_KATO NO. 57

Price: RM6,750.00

Rated Voltage: 415V

Rated Current (Amp): 630A

Weight: 270KG



SSB_KATO NO. 58

Price: RM10,125.00

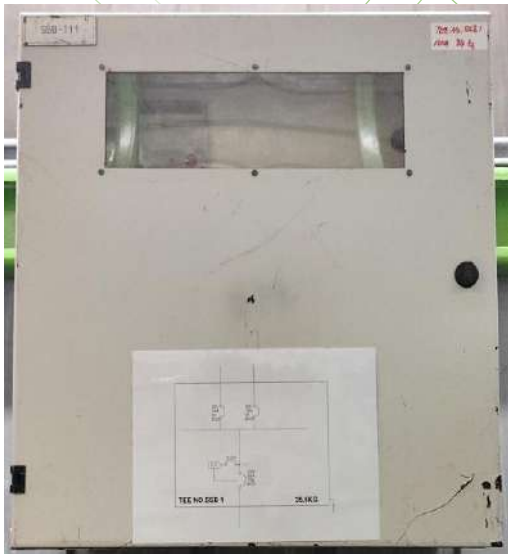
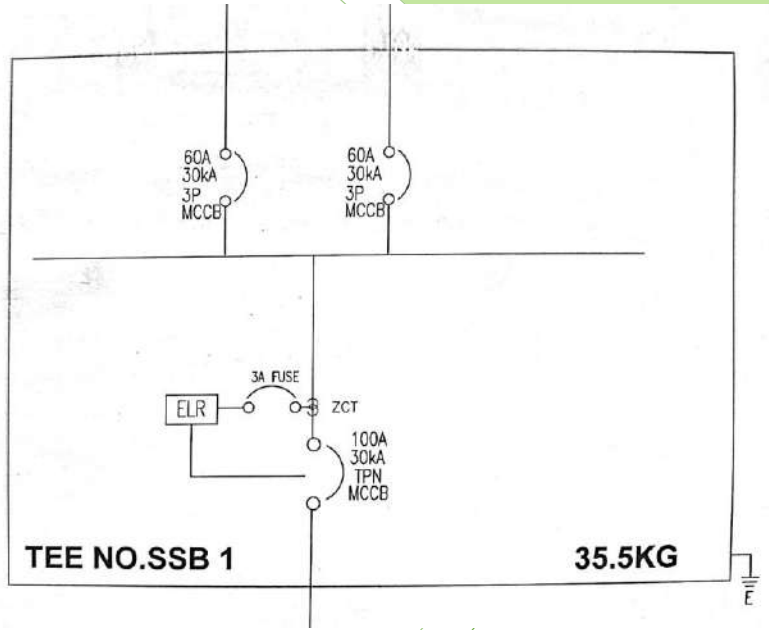
Rated Voltage: 415V

Rated Current (Amp): 630A

Weight: 405KG



SWITCH BOARD - SSB



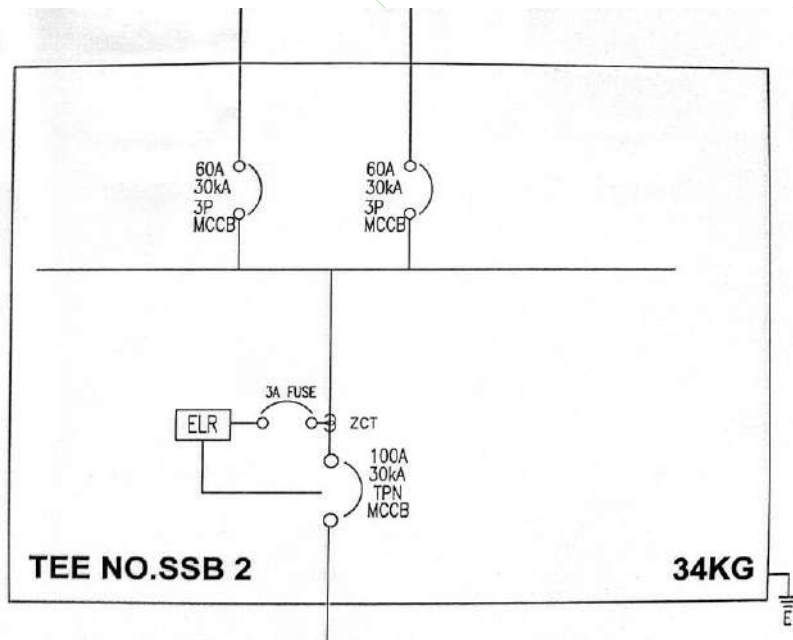
SSB_TEE NO. 1 (SSB T-11)

Price: RM850.00

Rated Voltage: 415V

Rated Current (Amp): 100A

Weight: 34KG



SSB_TEE NO. 2

Price: RM887.50

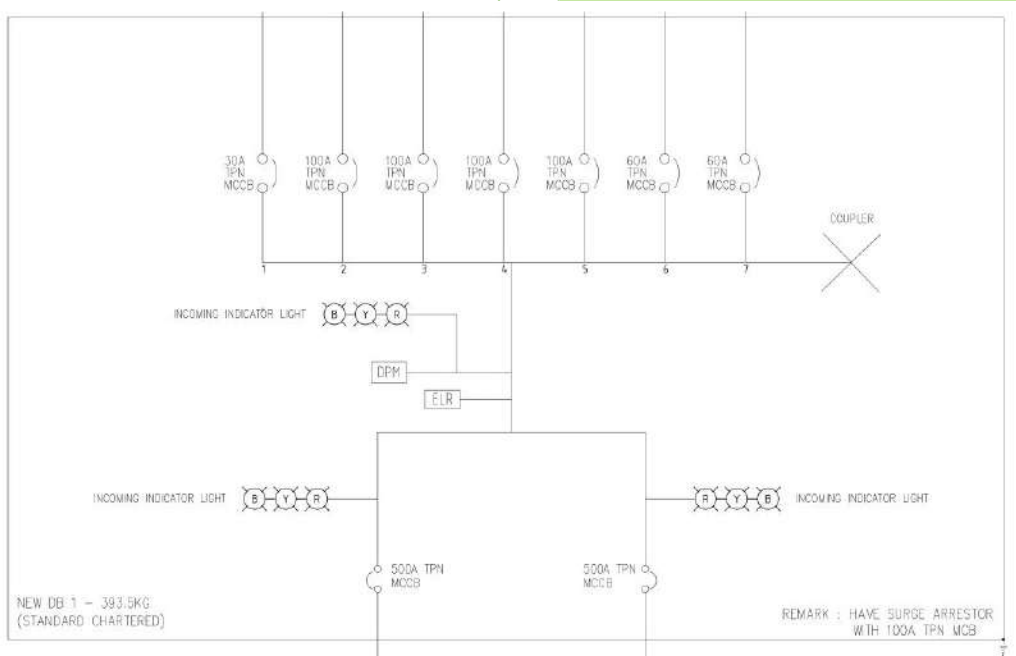
Rated Voltage: 415V

Rated Current (Amp): 100A

Weight: 35.5KG



SWITCH BOARD - SSB



SSB-NEW DB 1

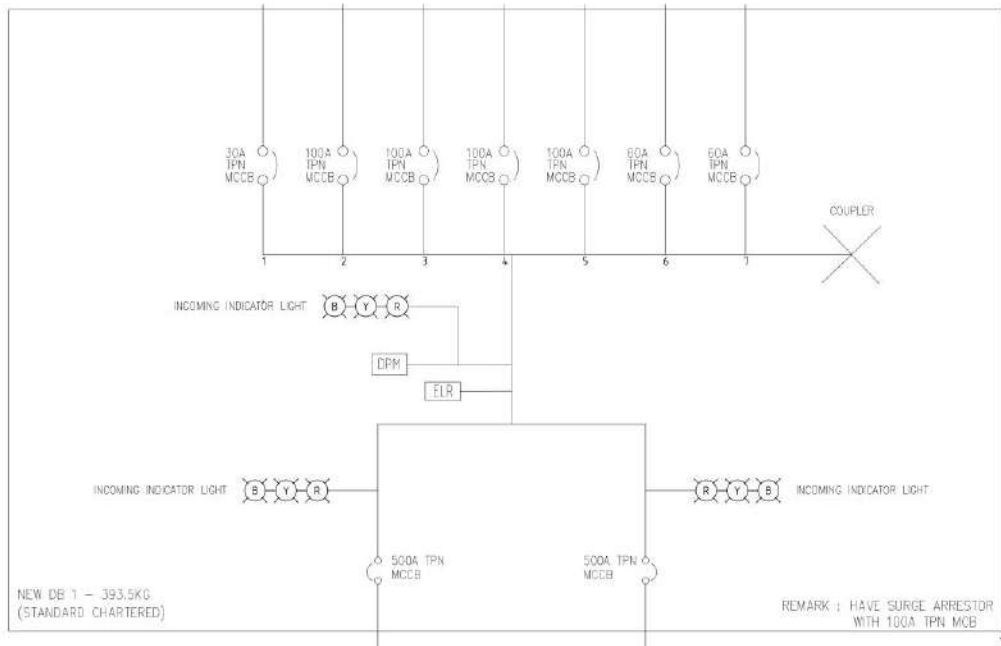
Price: RM9,837.50

Rated Voltage: 415V

Rated Current (Amp): 500A

Weight: 393.5KG





SSB-NEW DB 2

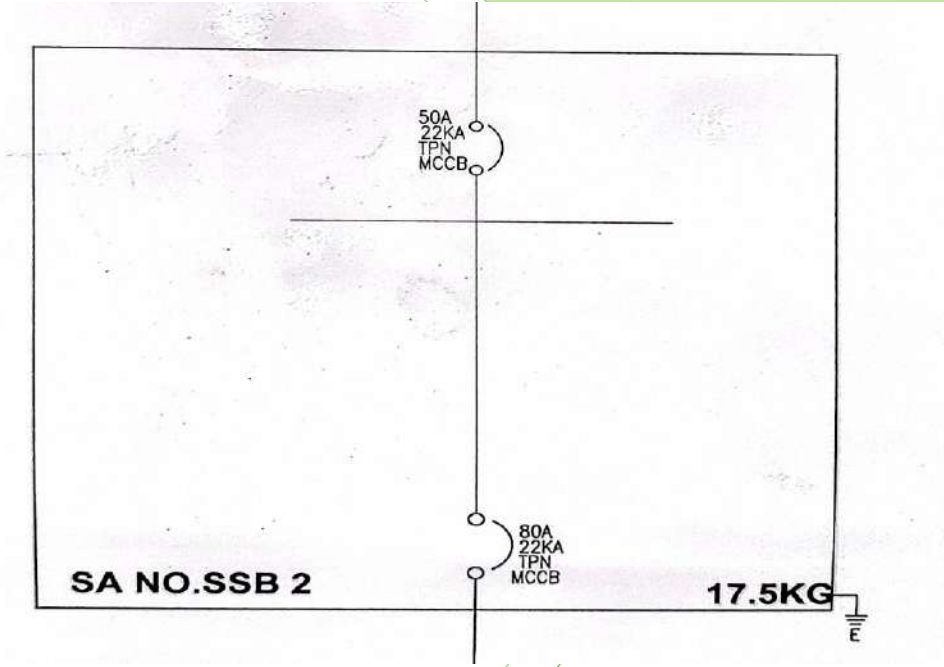
Price: RM9,962.50

Rated Voltage: 415V

Rated Current (Amp): 500A

Weight: 398.5KG

SWITCH BOARD - SSB



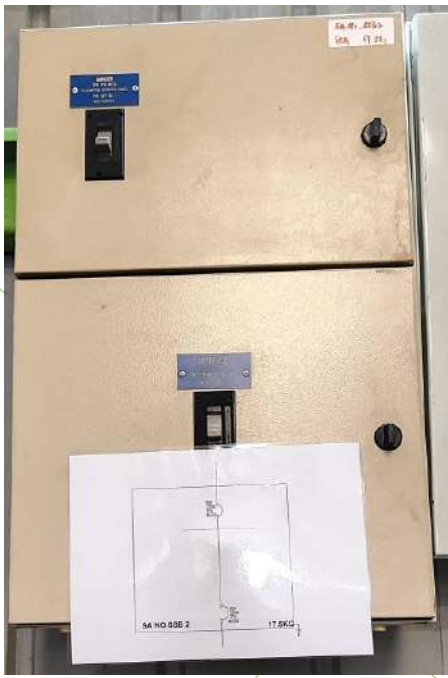
SSB_SA NO. 2

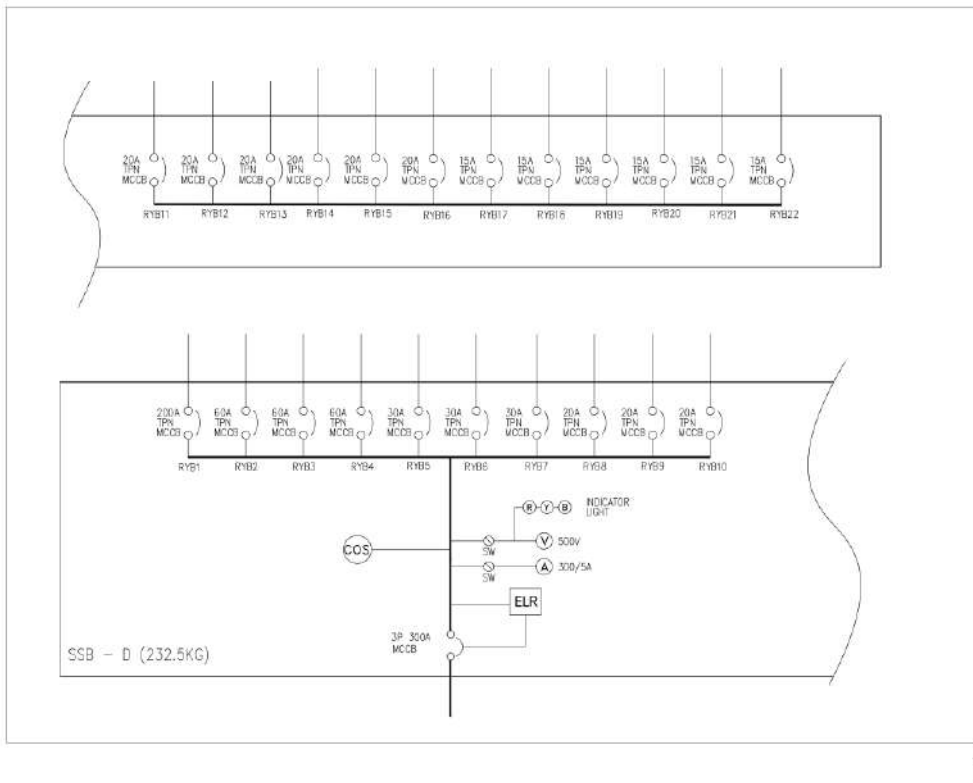
Price: RM437.50

Rated Voltage: 415V

Rated Current (Amp): 80A

Weight: 17.5KG





SSB_D

Price: RM5,812.50

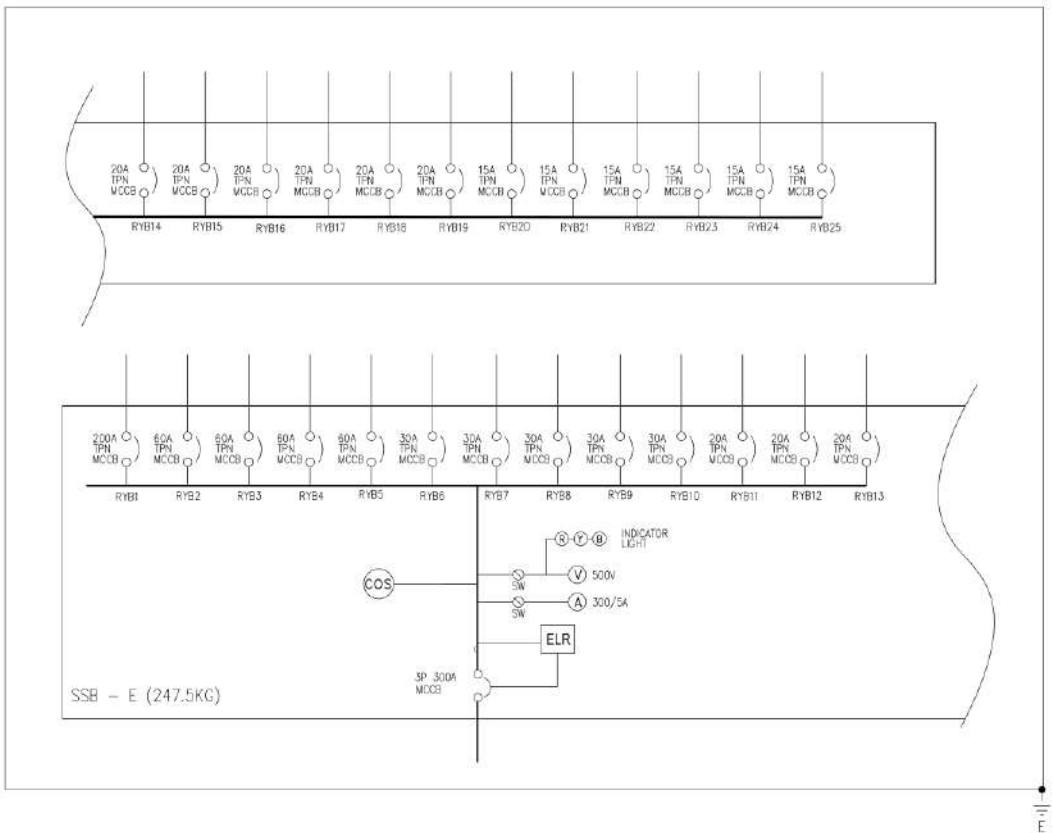
Rated Voltage: 415V

Rated Current (Amp): 300A

Weight: 232.5KG



SWITCH BOARD - SSB



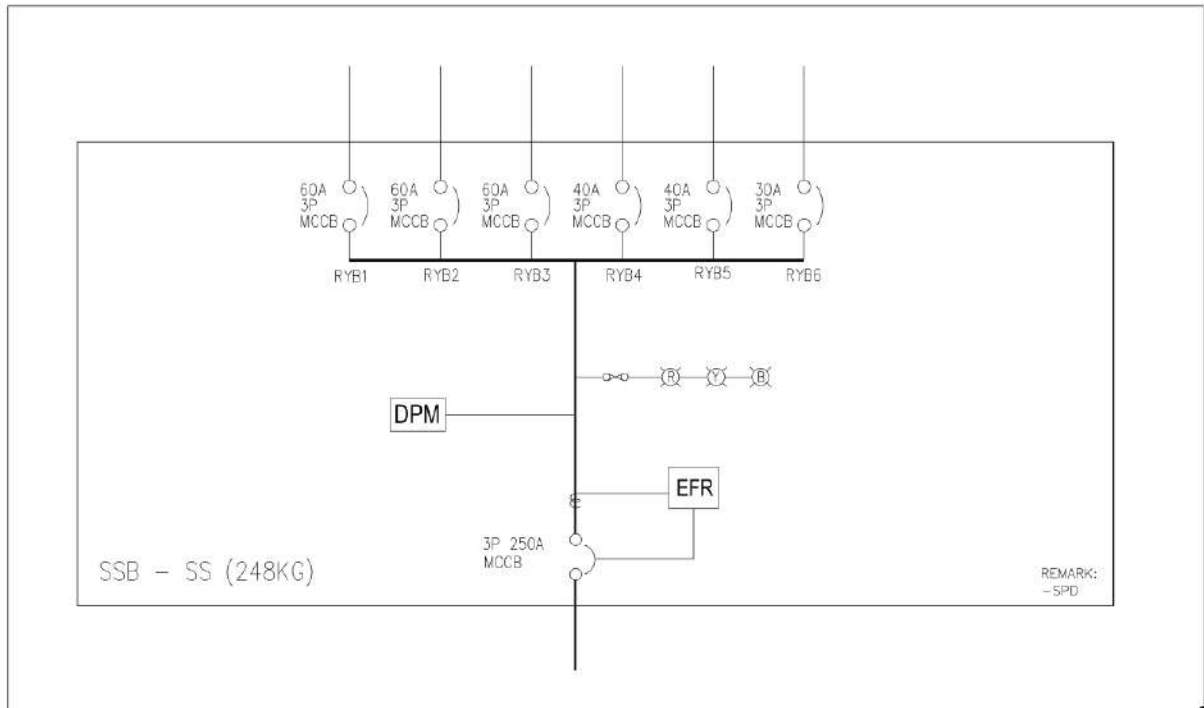
SSB_E

Price: RM6,187.50

Rated Voltage: 415V

Rated Current (Amp): 300A

Weight: 247.5KG



SSB_SS

Price: RM6,200.00

Rated Voltage: 415V

Rated Current (Amp): 250A

Weight: 248.0KG



SWITCH BOARD - SSB

SUB-SWITCH BOARD (SSB)

Price: RM 25.00/KG (Complete Panel)
RM 20.00/KG (Breaker Panel Only)

Rated Voltage: 415V

Rated Current (Amp): 60A – 1250A

Weight: 17.5KG – 1358.0KG

* There are several kinds of Sub-switch Board Panel
(Please refer page 58–60 for more details)



STARTER CONTROL PANEL

Price: RM 20.00/KG (Complete Panel / Breaker Panel Only)

RM 15.00/KG (No wiring)

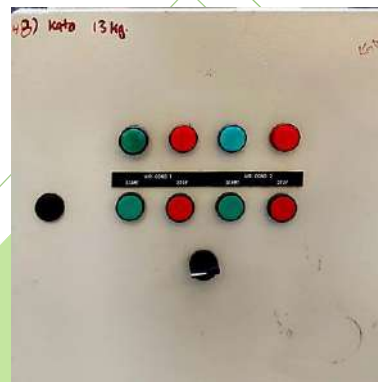
RM 10.00/KG (Empty Panel)

Rated Voltage: 415V / 230V

Rated Current (Amp): 6A – 100A

Weight: 3.0KG – 76.5KG

* There are several kinds of Starter Control Panel
(Please refer page 61–62 for more details)



MCC PANEL

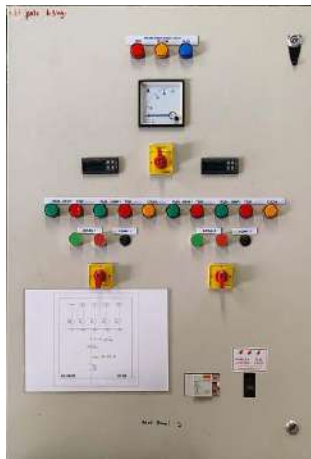
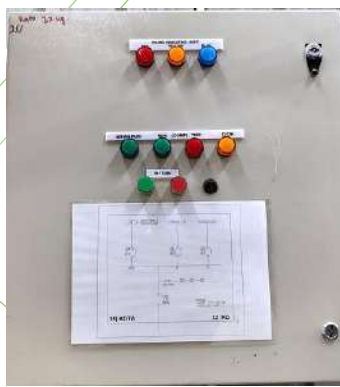
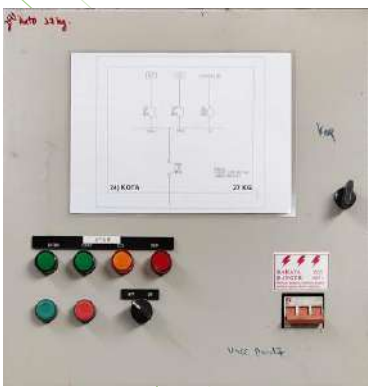
Price: RM 20.00/KG (Complete Panel / Breaker Panel Only)
RM 15.00/KG (No wiring)
RM 10.00/KG (Empty Panel)

Rated Voltage: 415V / 240V

Rated Current (Amp): 10A – 800A

Weight: 8.5 – 221.0KG

* There are several kinds of MCC Panel
(Please refer page 62 & 63 for more details)



DB PANEL

Price: RM 25.00/KG (New Panel)

RM 20.00/KG (Complete Panel / Breaker Panel Only)

RM 15.00/KG (No wiring)

RM 10.00/KG (Empty Panel)

Rated Voltage: 240V / 415V

Rated Current (Amp): 5A – 400A

Weight: 1.6KG – 471.0KG

* There are several kinds of DB Panel
(Please refer page 63–73 for more details)





06-312 3456



019 – 626 3471 (MEOW)

013-665 9990 (JUN WEI)

012-904 1508 (PANJANG)

019- 655 5867 (TAMIL)

017 – 604 7595 (AIDA)



219-1 Batu 8, Bertam Ulu, 76450
Tanjong Minyak, Melaka



marketingp024@gmail.com

*** AVAILABLE WHILE STOCKS LAST**



TS UNITED METAL SDN. BHD.

“Old stuff, new life”